



PV = Process Value  
SV = Set Value

Display Color:  
Upper : White Or Red  
Lower : Green

**TECHNICAL SPECIFICATION**

**INPUT SPECIFICATION:**

Input Types	Input	Range
	J	0 to 600 °C
	J.1	0.0 to 400.0 °C
	K	0 to 1200 °C
	K.1	0.0 to 500.0 °C
	PT-100	-50 to 400 °C
	PT.1	-50.0 to 400.0 °C
Resolution	J,K,PT-100 = 1 °C	
	J.1,K.1,PT.1 = 0.1 °C	
Indication Accuracy	±1% of FSD ± 1 °C	

**DISPLAY AND KEYS:**

Display	Upper: 4 digit, 7 segment, 0.56" Lower: 4 digit, 7 segment, 0.33"
Keys	SET, INC, DEC, ENT

**DIMENSION:**

Size	48 (H) x 48 (W) x 95 (D) mm
Panel Cutout	45 (H) x 45 (W) mm

**CONTROL METHOD:**

Heating	1) PID control with Auto-Tuning 2) ON-OFF control
Cooling	ON-OFF control

**OUTPUT SPECIFICATION:**

Relay Output	
Relay	1 Nos
Relay Type	1C/O (NO-C-NC)
Rating	10A, 230V AC / 28V DC
SSR Drive Output	
Output Signal	12V DC, 30mA DC (On-Off condition) Relay parallel to SSR

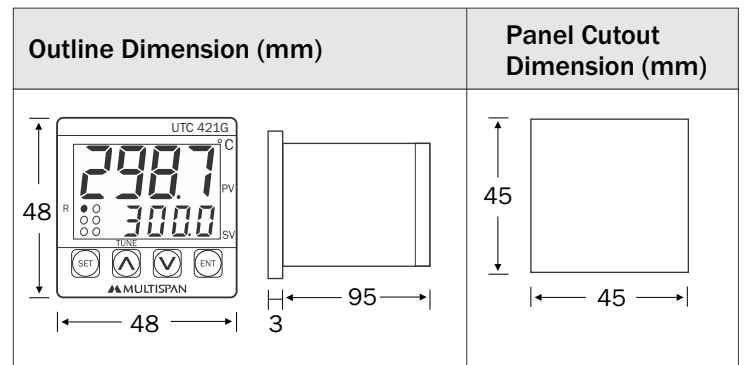
**POWER SUPPLY:**

Supply Voltage	100 to 270V AC, 50-60Hz
Power Consumption (VA Rating)	4VA @ 230V AC MAX

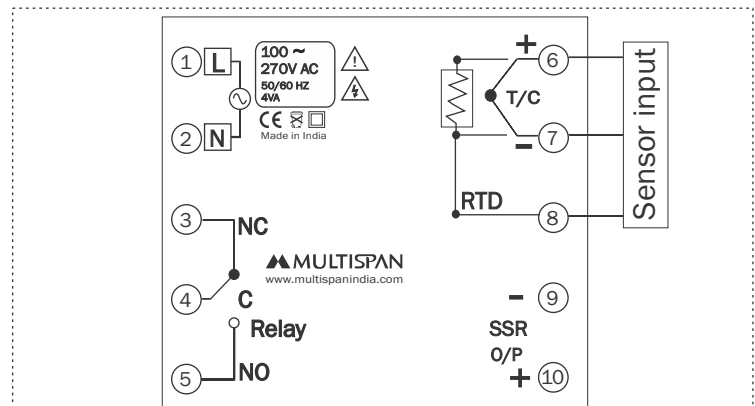
**ENVIRONMENT CONDITION:**

Operating Temp.	0 °C to 55 °C
Relative Humidity	UP to 95% RH (non-condensing)
Protection Level	IP-65 (Front side) As per IS/IEC 60529 : 2001

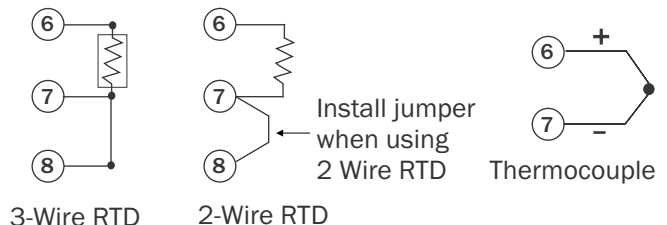
**MECHANICAL INSTALLATION**



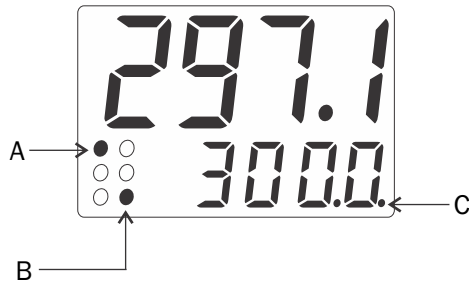
**TERMINAL CONNECTION**



**Sensor Input**



## STATUS LED DESCRIPTION



- A - Control output indication
- B - Auto tuning "ON" indication
- C - Blinking DP Will Indicate Delay time Count

## KEY OPERATION

FUNCTION	PRESS KEY
<b>OPERATOR MODE</b>	
To enter in parameter setting	
For start/stop PID auto tuning	Press 6 sec
To go in factory setting mode	+ Press 3 sec
<b>PARAMETER SETTING MODE</b>	
To set parameter value	
To increment parameter value.	
To decrement parameter value.	
Set parameter to be save & exit.	



## SAFETY PRECAUTION

All safety related codifications, symbols and instructions that appear in this operating manual or on the equipment must be strictly followed to ensure the safety of the operating personnel as well as the instrument.

If all the equipment is not handled in a manner specified by the manufacturer, it might impair the protection provided by the equipment.



Read complete instructions prior to installation and operation of the unit.



**WARNING** : Risk of electric shock.

## WARNING GUIDELINES



### WARNING : Risk of electric shock.

1. To prevent the risk of electric shock, power supply to the equipment must be kept OFF while doing the wiring arrangement. Do not touch the terminals while power is being supplied.
2. To reduce electro magnetic interference, use wire with adequate rating and twists of the same of equal size shall be made with shortest connection.
3. Cable used for connection to power source, must have a cross section of 1mm or greater. These wires should have insulations capacity made of at least 1.5kV.
4. When extending the thermocouple lead wires, always use thermocouple compensation wires for wiring for the RTD type, use a wiring material with a small lead resistance (5 Ω max per line) and no resistance differentials among three wires should be present.
5. A better anti-noise effect can be expected by using standard power supply cable for the instrument.

## INSTALLATION GUIDELINES

1. This equipment, being built-in-type, normally becomes a part of main control panel and in such case the terminals do not remain accessible to the end user after installation and internal wiring.
2. Do not allow pieces of metal, wire clippings, or fine metallic fillings from installation to enter the product or else it may lead to a safety hazard that may in turn endanger life or cause electrical shock to the operator.
3. Circuit breaker or mains switch must be installed between power source and supply terminal to facilitate power 'ON' or 'OFF' function. However this mains switch or circuit breaker must be installed at convenient place normally accessible to the operator.
4. Use and store the instrument within the specified ambient temperature and humidity ranges as mentioned in this manual.

## MECHANICAL INSTALLATION GUIDELINES

1. Prepare the panel cutout with proper dimensions as shown above.
2. Fit the unit into the panel with the help of clamp given.
3. The equipment in its installed state must not come in close proximity to any heating source, caustic vapors, oil steam, or other unwanted process Byproducts.
4. Use the specified size of crimp terminal (M3.5 screws) to wire the terminal block. Tightening the screws on the terminal block using the tightening torque of the range of 1.2 N.m.
5. Do not connect anything to unused terminals.

## MAINTENANCE

1. The equipment should be cleaned regularly to avoid blockage of ventilating parts.
2. Clean the equipment with a clean soft cloth. Do not use isopropyl alcohol or any other cleaning agent.
3. Fusible resistor must not be replaced by operator.

## ERROR DISPLAY

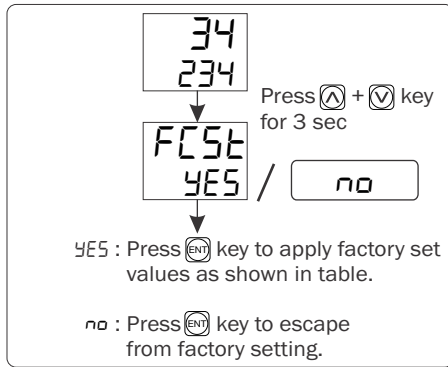
When an error has occurred the display indicates error codes as given below.

ERROR	MEANING
OPEN	Sensor is not connected or Over range condition or sensor break
SrE	Sensor connection is reversed

### CORRECTIVE ACTION:

Check the sensor and the input wiring. If problem still exists, replace the sensor. And still if problem is not solved yet by the user, then please contact company person

## FACTORY SETTING



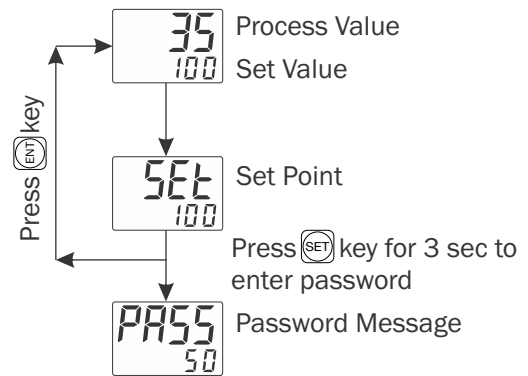
FACTORY SETTING		
Sr.	PARAMETER	VALUES
1	PB	20.0 °C
2	IT	300
3	DT	75
4	CT	15 Sec
5	MR	0 °C
6	Offset	0 °C
7	Hysteresis	3 °C
8	Delay time	6 sec

## PARAMETER RANGE

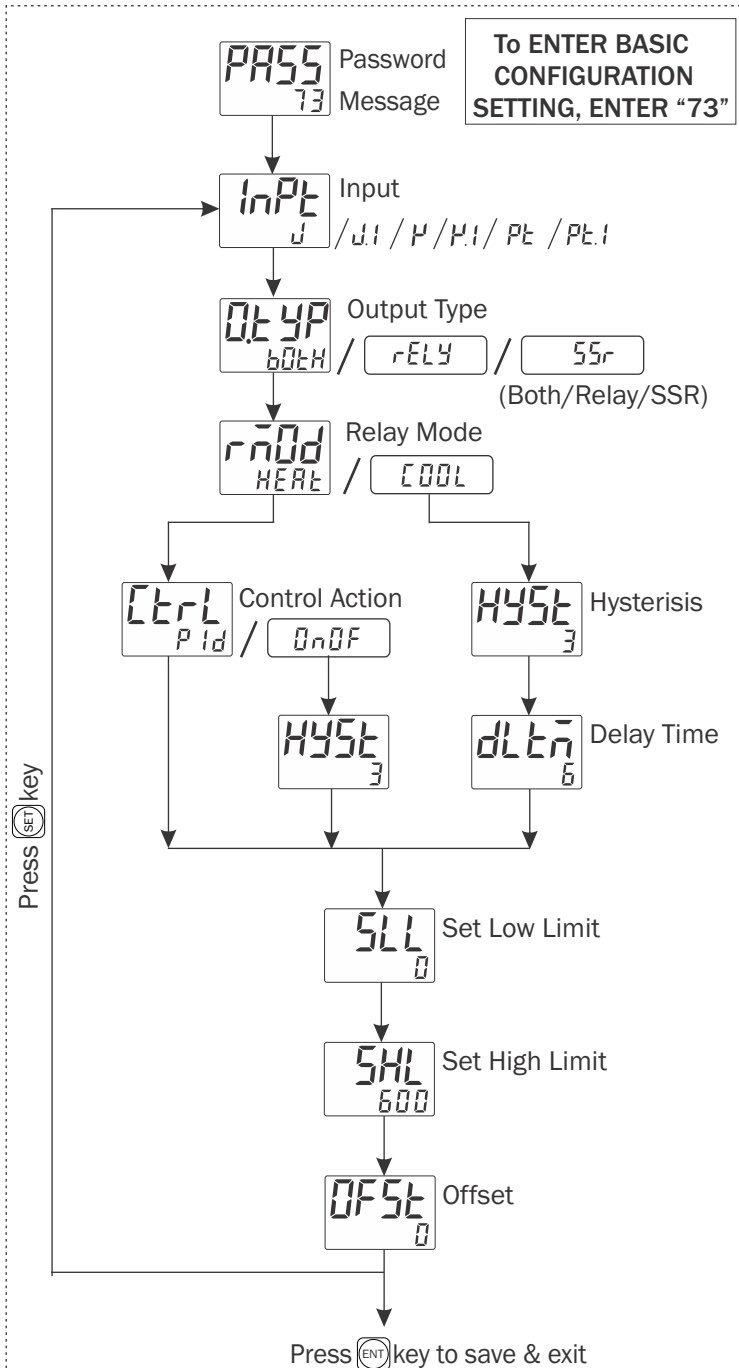
Sr.	Parameter	Range for J, K, PT100	Range for J.1,K.1,PT.1
1	PB	0.0 to 999.9	0 to 999.9
2	IT	0 to 9999	0 to 9999
3	DT	0 to 9999	0 to 9999
4	CT	For Relay/Both:4 to 99 Sec For SSR:1 to 99 Sec	For Relay/Both:4 to 99 Sec For SSR:1 to 99 Sec
5	MR	-9 °C to +9 °C	-9.0 °C to +9.0 °C
6	OffSet	-20 °C to +20 °C	-20.0 °C to +20.0 °C
7	Hysteresis	1 °C to 100 °C	0.1 °C to 100.0 °C
8	Delay Time	1 to 999 Sec	1 to 999 Sec

## PARAMETER SETTING

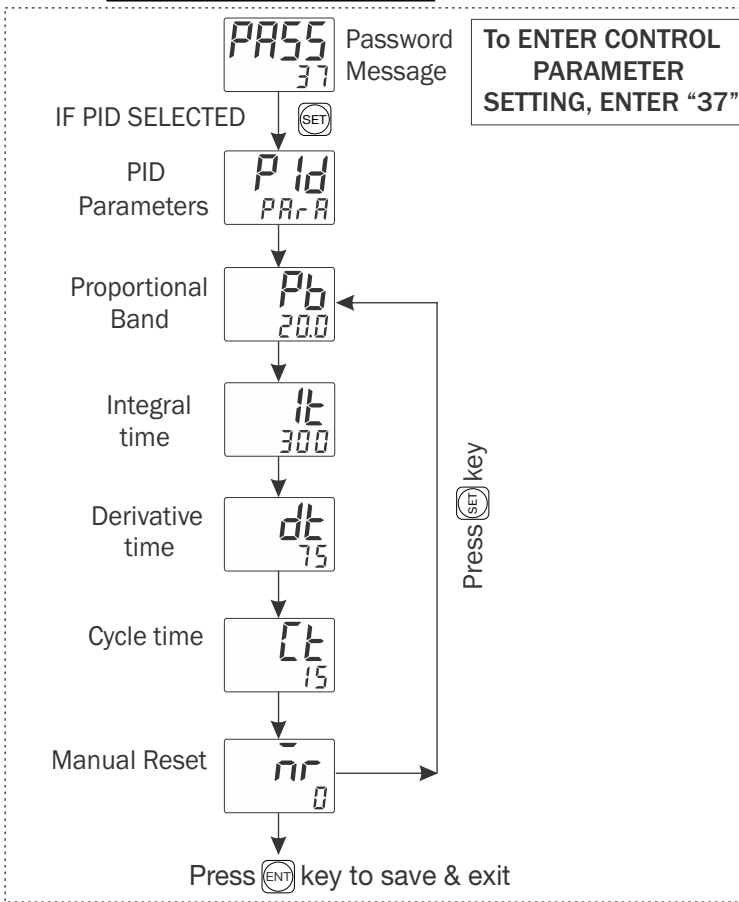
### Set Point Setting



### Basic Configuration

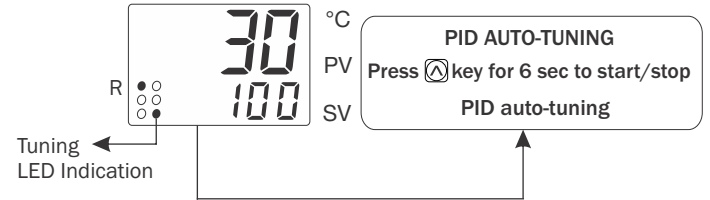


## Control Parameter



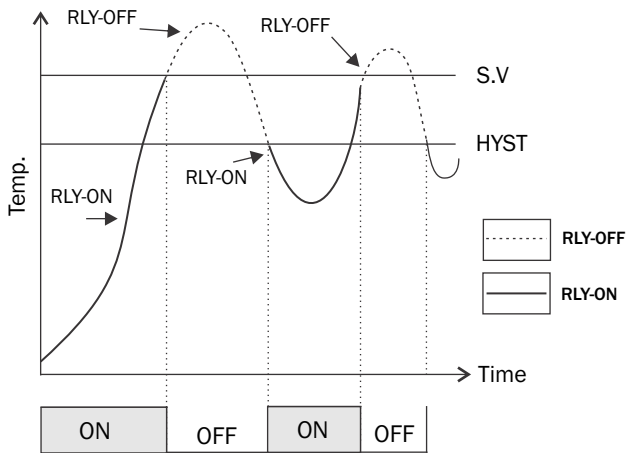
## Auto Tuning:-

- The Auto-tuning function automatically computes and sets the Proportional band (Pb), Integral time (It), Derivative time (dt), and cycle time as per process characteristics.
- Tuning LED will turn "ON" during Auto-Tuning
- If the power goes off before auto-tuning is completed, auto-tuning will be restarted at next power ON.

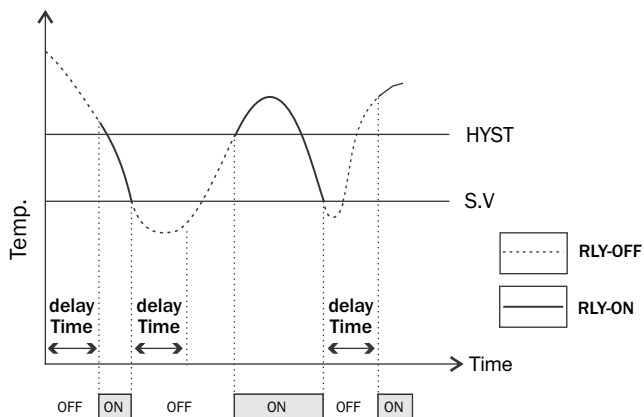


## CONTROL FUNCTION

### ON - OFF control (Heating)



### ON - OFF control (Cooling)



Specifications are subject to change, since development is a continuous process.  
So for more updated operating information and Support,  
Please contact our Helpline: 9978991482/9978991474/9978991476 or  
Email at [service@multispanindia.com](mailto:service@multispanindia.com) Ver:011220