

**TWS-2500F**  
**72 X 72 X 85 mm**

## Technical Specification

Model	TWS - 2500F
Dimension	72 X 72 X 85 mm
Panel Cutout	68 X 68 mm
Display	4 digit, 0.56", 7 segment
Output	1 relay with 2 C/O, 5A
Supply	100 to 250V AC
Sensor	Proximity PNP / NPN & M/S
Memory	Power Failure Facility
Delay ON/Delay off	Selectable
Over Counting/ Without Over counting	Selectable
Speed Selection	Selectable

## How to Set the Auto Manual Time

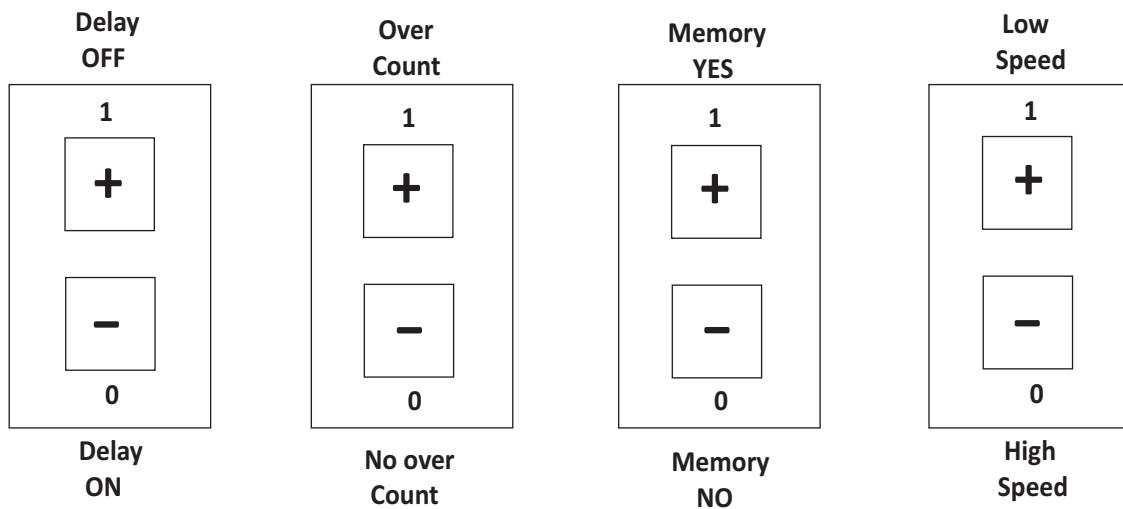
- 1). Reset Key used for reset count and set Auto Reset Time.
- 2). Press Reset key for 10 seconds to Enter in set mode. To change the value of Auto Time hold reset key in pressed condition and select value from thumb wheel switch. If you release reset key then it will take that value at the time of releasing key.

Function	Display	Range
Auto Manual Time	000.0	00.0-99.9 Sec.


## Note:

# How to Set the Delay ON/ Delay off, Over Count/ W.Over Count, Speed Selection

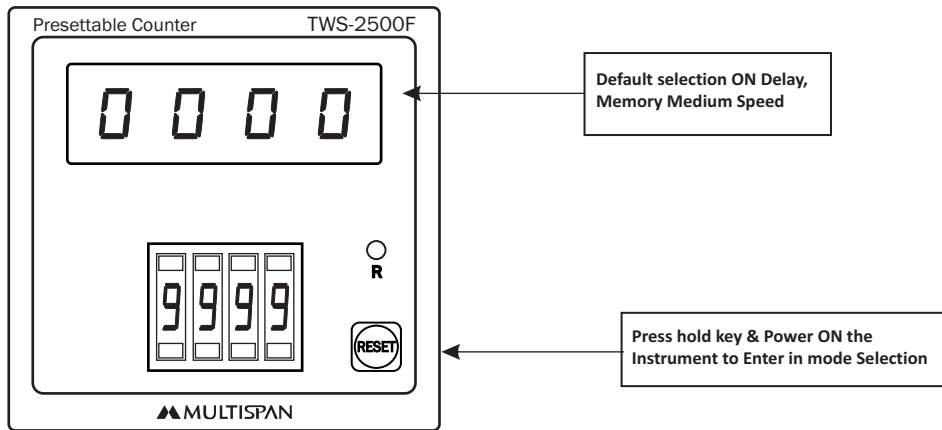
- 1). Unitial Press Reset Key then turn ON instrument.
- 2). When display will be blinking, then do required change by using thumbwheel switch.



## Working

- 1). Count can be set by Thumb Wheel Switch .
- 2). If you set TIME=00.0 SECOND then it will be in MANUAL MODE and if you set TIME=0.01 To 99.9 SECONDS then it will be in AUTO RESET MODE.
- 3). At set Count Relay will turn ON and RED LED will turn on right hand side.
- 4). Relay remain on until AUTO RESET TIME is over.
- 5). If you set TIME 00.0 seconds then Relay will remain in on condition until Reset key is pressed.
- 6). To reset the count press  key for 2 seconds.

# Mode Selection



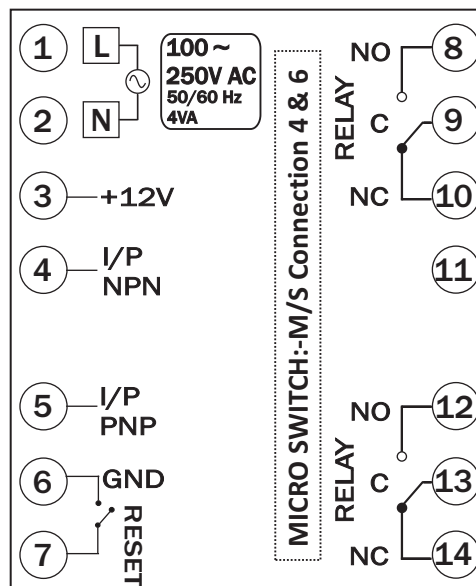
Thumbwheel 1	
0	1
Delayed ON	Delayed OFF

Thumbwheel 2	
0	1
No Over Count	Over Count

Thumbwheel 3	
0	1
Memory NO	Memory Yes

Thumbwheel 4	
0	1
High Speed	Low Speed

## Connection Diagram



## NOTE

Product improvement and upgrade is a constant procedure. So for more updated operating information and support, please contact our helpline : +91-9978991474/76/82 or Email at [Service@multispanindia.com](mailto:Service@multispanindia.com)