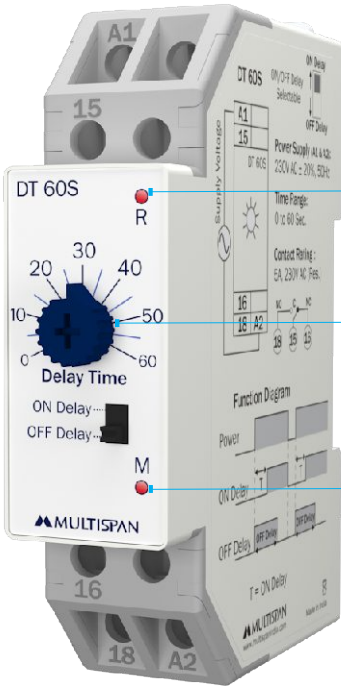


DT	Delay Timer
Model	DT 10S , DT 30S, DT 60S, DT 15M



RELAY LED




for visualisation of output status

KNOB

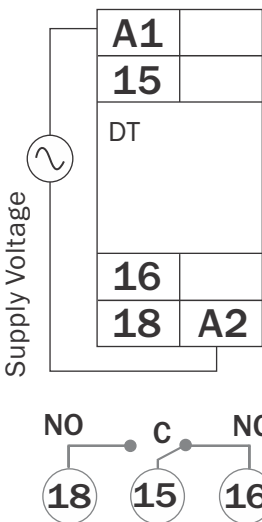
for on/off delay time setting

MAIN LED

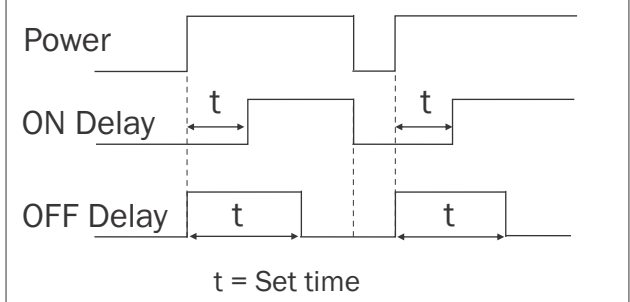
for visualisation of power supply status

	Power Supply : 230 V AC $\pm 20\%$,50 Hz : 415 V AC $\pm 20\%$,50 Hz
	Output: 1 Relay O/P (1 C/O, 5A 230 VAC Resistive Load)
	Time Range : 0 to 10 SEC (For DT 10S) 0 to 30 SEC (For DT 30S) 0 to 60 SEC (For DT 60S) 0 to 15 MIN (For DT 15M)

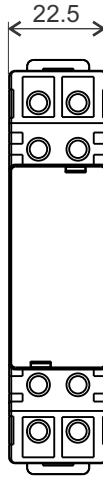
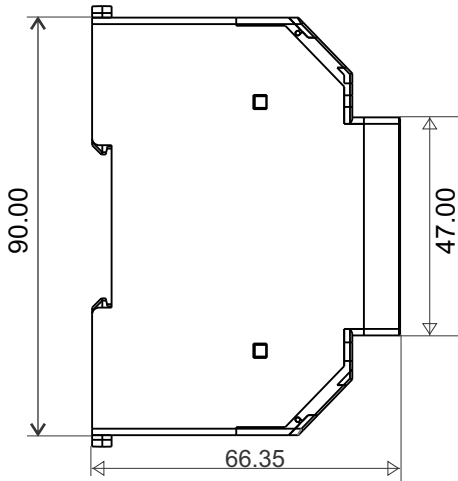
Terminal Connection:



Timing Diagram:



Dimension



NOTE:
All dimension are in mm.

Multispan reserves the right to change specifications without prior notice. Printing and typographical errors reserved. Product improvement and upgrade is a constant procedure.

Multispan Control Instruments Pvt. Ltd.

72/B, Phase 1, GIDC Estate, Vatva, Ahmedabad-382445, Gujarat, India.

+91-9978991474/9978991476/9978991482

Service@multispanindia.com

Follow us



www.multispanindia.com