

TEMPERATURE CONTROLLER UTC-4203



TECH SPECS

Model	UTC-4203
Dimension (HxWxD) mm	48 x 48 x 95
Input	Thermocouple:- J / K (Configurable) RTD :- PT-100 3Wire /2Wire
Range	Thermocouple:- J: 0 - 600 °C, K: 0 to 1200 °C RTD :- PT-100: -99 to 400 °C/ PT.1: -99.9 to 400.0 °C
Output	3 Relay 1 C/O Contact, 5A@230V AC
Control Action	PID / TP/ ON-OFF (Configurable)
Power Supply	100-270V AC, 50/60 HZ, Approx 4VA
Certification	

APPLICATIONS

Pharmaceutical Industries

Extrusion Machinery

Furnace & Boilers

Ovens & Incubators

Process Industry

Technical Specifications

Input	
Input Type	Thermocouple : J, K RTD : PT-100, PT.1
Display Range	Refer (Table 1)
Accuracy	± 1% of FSD
ADC Resolution	10 Bits
Display Resolution	J/K,PT-100 = 1 °C PT.1 = 0.1 °C
Sample Time	600 msec

Output	
Relay Control Output	
Relay	3 Relay 1C/0
Rating	5A @230V AC Resistive Load

Table 1 (Input Range)	
J	0 to 600 °C
K	0 to 1200 °C
PT-100	-99 to 400 °C
PT.1	-99.9 to 400.0 °C

Display	
Display	Upper :- 4 Digit 7 seg 0.56" Red LED Display LOWER :- 4 Digit 7 seg 0.33" Green LED Display
LED Status	Relay Indication LED

Control Method	
Heating	1) PID Control with Auto-Tuning 2) TP/ON-OFF Control
Cooling	1) BL.TP (Blower Time Proportional) 2) TP/ON-OFF Control
Alarm	Inband, Absolute Outband, High, Absolute Low

Keys
4 controlling keys for configuration and operation SET, UP, DOWN, ENT

Power Supply	
Standard	100 - 270V AC @ 50/60 Hz
Optional	24V DC
Consumption	4VA

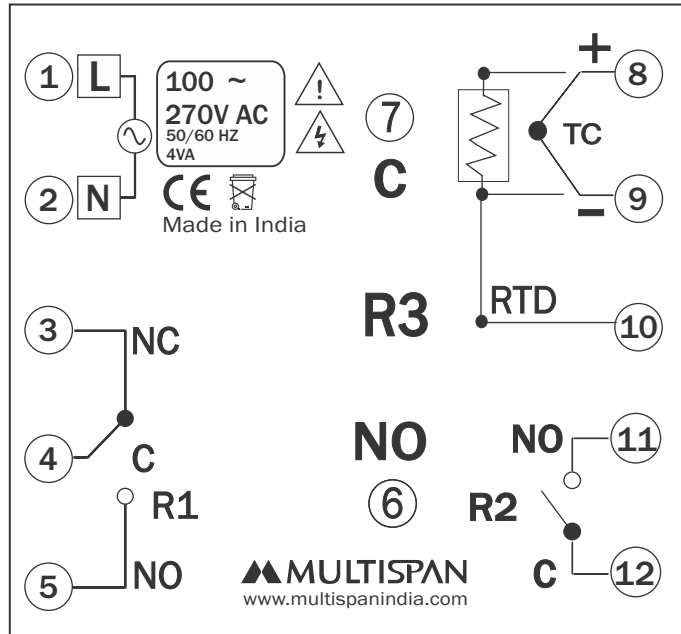
Physical	
Mounting Type	Panel Mount
Enclosure	Molded ABS
Weight (gm)	170
Color	Black
Front Bezel (mm)	48 x 48
Panel cutout (mm)	45 x 45
Depth behind panel (mm)	95
Accessories	1 pair of Mounting clamp
Terminal Cable Size	Barrier Type terminal Cable Size (2.5 mm ²)

Environmental	
Operating Temperature	0 to 55 °C
Storage Temperature	0 to 70 °C
Humidity	95% RH Non-condensing
Protection	IP 65 (Front Side)

MECHANICAL INSTALLATION

Outline Dimension (mm)	Panel Cutout Dimension (mm)

Connection Diagram



Multispan reserves the right to change specifications without prior notice. Printing and typographical errors reserved.
Product improvement and upgrade is a constant procedure. So for more updated operating information & support contact us.

Multispan Control Instruments Pvt. Ltd.

72/B, Phase 1, GIDC Estate, Vatva, Ahmedabad-382445, Gujarat, India.

+91-7575805463/7623001206

support@multispanindia.com

Follow us



www.multispanindia.com