

FEATURES:

True RMS measurement of Current.
 User can set the display in Auto Scrolling or fixed screen Mode via front panel key.
 Accuracy: Class1.

TECHNICAL DETAILS

Parameter Display (INPUT RANGE)
 Current (~A) : 0 - 5A (Without CT)

Enclosure:
 Size : 96 mm X 96 mm X 75 mm
 Panel Cut Out : 92 mm X 92 mm

Front Panel:
 Display : 1 line, 3 digit seven segments LED display
 Digit Colour : Red
 Digit Height : 0.56 inch

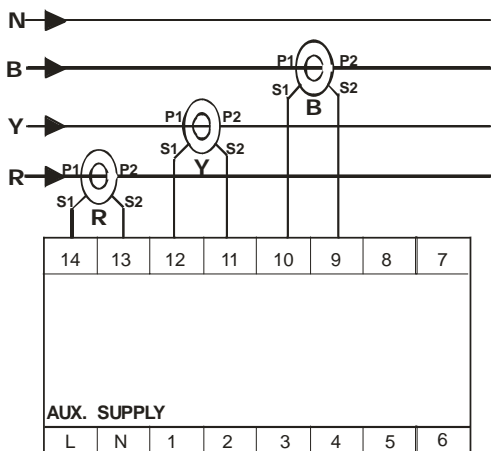
Auxiliary Supply:
 90 to 270V AC (SMPS)

Environmental:
 Temperature: 10 to 50°C operating.
 Humidity: up to 95% RH condensing.

SCROLL / HOLD MODE:

- To enter into "Hold mode", Press key, when required parameter is displayed on Display.
- During "Hold mode", LED will blink.
- Press key again to enter into "Scroll Mode".

CONNECTION DIAGRAM:



CT Ratio Selection:

Keep pressing front panel key for 4 Seconds. Display-1 will blink it will show value of CT Primary Value. CT ratio selection up to 975A

For Example: If CT ratio is 100/5A, then Display will show 100 and it will blink.

Now release the key and press front panel key to change CT ratio.

To store selected CT Ratio in non-volatile memory, release the key and wait for 5 Seconds. Instrument will automatically stores CT Ratio and starts operating normally.

MULTISPAN INSTRUMENTS CO.
 AHMEDABAD, GUJARAT
 www.multispanindia.com

*For current higher than 5 Ampere
 (With External CT)*