

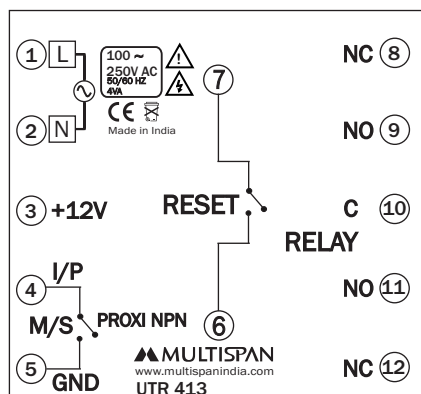
Technical Specification

Model	UTR 413
Display	3 Digit, 56", 7 Segment LED
Size(HXWXD)	48 X 48 X 95 mm
Panel Cutout	45 X 45 mm
Input	NPN Proximity & Micro Switch
Output	1 relay, 2 C/O contact, 230V AC, 5A
Power Supply	100 to 250V AC, 50 / 60 Hz, Approx 4VA
Protection Level (As per request)	IP-65(Front side) AS per IS/IEC 60529:2001
Operating Temperature	0°C To 55°C
Relative Humidity	Up to 95% RH Non Condensing
Reset	Front key & Back Reset

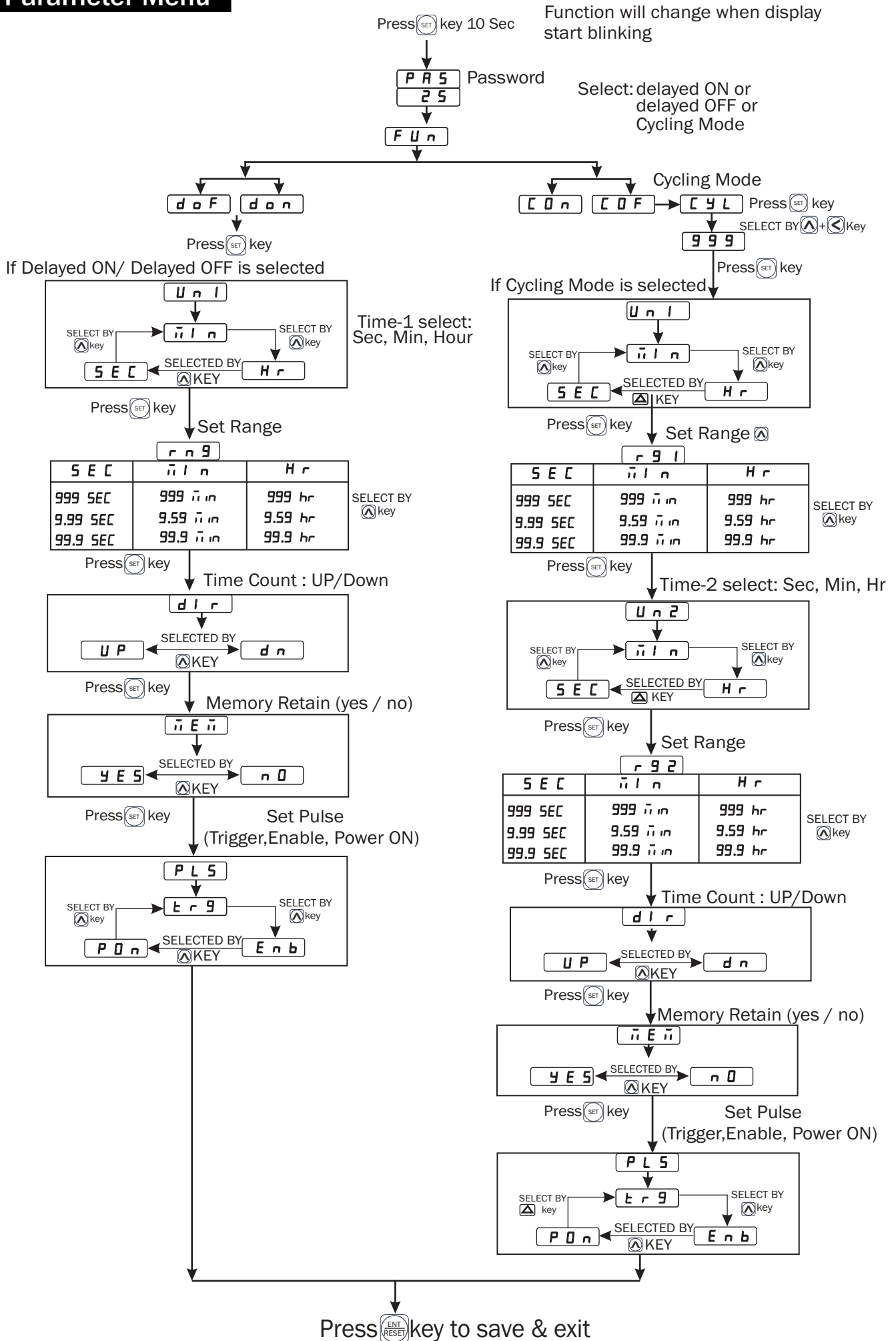
Notes:

- 1). POWER ON : Timer starts counting as soon as it gets power supply.
- 2). By default Cycle ON Mode is provided. Please refer programming guide to change to Cycle OFF Delay ON/ Delay OFF Mode.
- 3). Instrument can be Start and hold by front key, when it is in trigger pulse mode.
- 4). If we set cycle parameter 000 then the cycle timer will continue the cycle infinitely.
- 5). In enable pulse mode, if the memory parameter is selected YES and If the enable pulse is gone & receive again before the set point, the timer will resume from the old value.
- 6). In enable pulse mode, if the memory parameter is selected NO and If the enable pulse is gone & receive again before the set point, the timer will start 000.

Connection Diagram



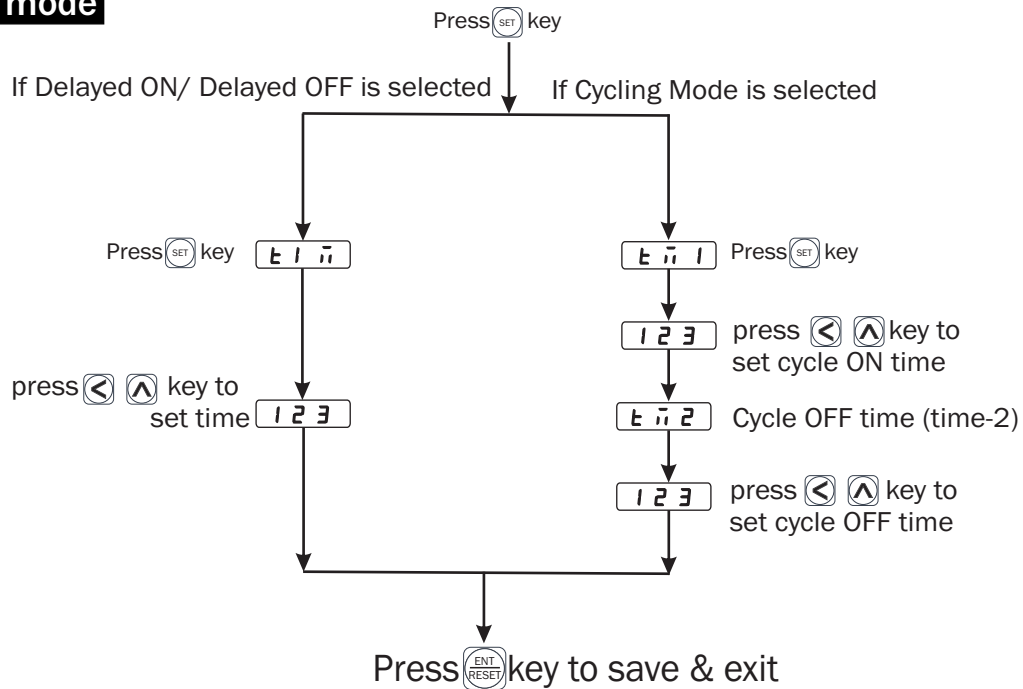
Parameter Menu



Working

- 1). Turn ON instrument. SET time according to your requirement.
- 2). In running mode, upper display indicates current TIME value and lower display shows SET time value. Relay ON or OFF controls depends on set time.
- 3). Relay operation is according to selection of Delay ON or Delay OFF in programming menu.
- 4). In cycling mode, relay will turn on for ON time (time-1) & relay will turn off for OFF time (time-2) and this ON-OFF process will continue.
- 5). To reset the time, press Reset Key.

Set time mode



Display Message And Their Meaning

SR.	DISPLAY	DESCRIPTION
1	1 2 3	Time - 1
2	1 2 4	Time - 2
3	P A 5	Password
4	F U n	Delayed function
5	C Y L	Cycling time
6	d O n	Delayed ON
7	d O F	Delayed OFF
8	U n 1	Unit - 1 for Time - 1
9	U n 2	Unit - 2 for Time - 2
10	S E C	Seconds set for Time - 1 or 2
11	m i n	Minute set for Time - 1 or 2
12	H r	Hour set for Time - 1 or 2
13	d i r	Direction of time counting
14	U P	Up counting
15	d n	Down counting
16	m E m	Memory Retain : Yes / No
17	P L 5	Enable Trigger Power ON

Safety Precautions

All safety related codifications, symbols and instructions that appear in this operating manual or on the equipment must be strictly followed to ensure the safety of the operating personnel as well as the instrument.

If all the equipment is not handled in a manner specified by the manufacturer, it might impair the protection provided by the equipment .

=> Read complete instructions prior to installation and operation of the unit.

 **WARNING** : Risk of electric shock.

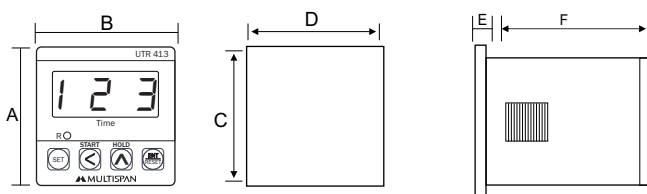
Warning Guidelines

- 1) To prevent the risk of electric shock power supply to the equipment must be kept OFF while doing the wiring arrangement. Do not touch the terminals while power is being supplied.
- 2) To reduce electro magnetic interference, use wire with adequate rating and twists of the same of equal size shall be made with shortest connection.
- 3) Cable used for connection to power source, must have a cross section of 1mm^2 or greater. These wires should have insulations capacity made of at least 1.5kV.
- 4) A better anti-noise effect can be expected by using standard power supply cable for the instrument.

Installation Guidelines

- 1) This equipment, being built-in-type, normally becomes a part of main control panel and such in case the terminals do not remain accessible to the end user after installation and internal wiring.
- 2) Do not allow pieces of metal, wire clippings, or fine metallic fillings from installation to enter the product or else it may lead to a safety hazard that may in turn endanger life or cause electrical shock to the operator.
- 3) Circuit breaker or mains switch must be installed between power source and supply terminal to facilitate power 'ON' or 'OFF' function. However this mains switch or circuit breaker must be installed at convenient place normally accessible to the operator.
- 4) Use and store the instrument within the specified ambient temperature and humidity ranges as mentioned in this manual.

Mechanical Installation



MODEL	A	B	C	D	E	F
DIMENSIONS	48mm	48mm	44mm	44mm	3mm	95mm

- 1) Prepare the panel cutout with proper dimensions as show above.
- 2) Fit the unit into the panel with the help of clamp given.
- 3) The equipment in its installed state must not come in close proximity to any heating source, caustic vapors, oils steam, or other unwanted process by products.
- 4) Use the specified size of crimp terminal (M3.5 screws) to wire the terminal block. Tightening the screws on the terminal block using the tightening torque of the range of 1.2 N.m.
- 5) Do not connect anything to unused terminals.

Maintenance

- 1) The equipment should be cleaned regularly to avoid blockage of ventilating parts.
- 2) Clean the equipment with a clean soft cloth. Do not use isopropyl alcohol or any other cleaning agent.
- 3) Fusible resistor must not be replaced by operator.