

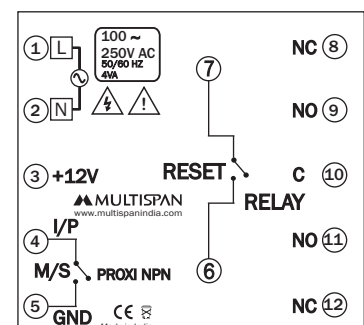
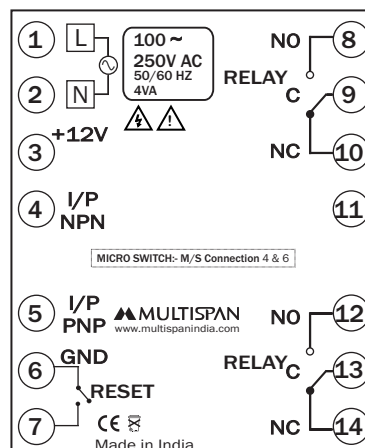
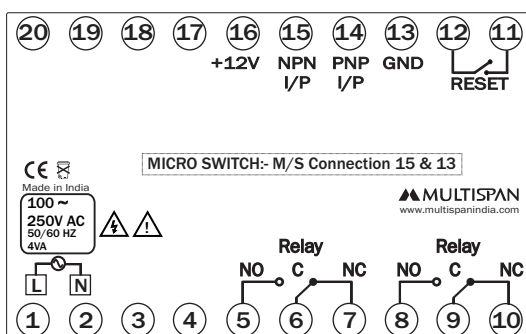
Technical Specification

Model	UTR 1044	UTR 2044	UTR 444
Display	UPPER:- 4 Digit 7 seg 0.70",red LED Display LOWER:- 4 Digit 7 seg 0.50",green LED Display	UPPER:- 4 Digit 7 seg 0.56",red LED Display LOWER:- 4 Digit 7 seg 0.33",green LED Display	UPPER:- 4 Digit 7 seg 0.56",red LED Display LOWER:- 4 Digit 7 seg 0.33",green LED Display
Size(HXWXD)	96 X 96 X 50 mm	72 X 72 X 85 mm	48 X 48 X 95 mm
Panel Cutout	92 X 92 mm	68 X 68 mm	45 X 45 mm
Input	NPN/PNP Proximity & Micro Switch		
Output	1 relay, 2 C/O contact, 230V AC, 5A		
Power Supply	100 to 250V AC, 50 / 60 Hz, Approx 4VA		
Protection Level (As per request)	IP-65(Front side) AS per IS/IEC 60529:2001		
Operating Temperature	0° C To 55° C		
Relative Humidity	Up to 95% RH Non Condensing		

Note

- 1). For safely purpose, key function are designed in such a way that operator will not go into detailed parameter setting (Previously Set) function. In this situation, in Password parameter, YES has to be selected. If previously set parameters are to be changed, then any operator has to select NO.
- 2). POWER ON : Timer starts counting as soon as it gets power supply.
- 3). By default Cycle ON Mode is provided. Please refer programming guide to change to Cycle OFF Delay ON/ Delay OFF Mode.

Connection Diagram



Parameter Menu

Time
1234.
1234.
Set Time

If Cycling Mode is selected

If Delayed ON/ Delayed OFF is selected

Press **SET** key

Press **SET** key

1234
1234

Cycle ON time (time-1)
press **←** **→** key to
set cycle ON time

Delay time (time-1)
press **←** **→** key to
set cycle Delay time

1234
1234

Press **SET** key

1234
1234

Cycle OFF time (time-2)
press **←** **→** key to
set cycle OFF time

Press **SET** key for 5 to 7 sec

PASS
25

Press **SET** key

Press **↵** key for mode selection

FUnc / FUnc / FUnc / FUnc
CYOn / CYOf / dLOn / dLOf

Press **SET** key

If Cycling Mode is selected

If Delayed ON/ Delayed OFF is selected

CYCL
0000

No. OF
Repeat Cycle

Press **SET** key

Press **↵** key for range selection
Unt 1 / Unt 1 / Unt 1
SEC / min / Hr

Unt 1 / Unt 1 / Unt 1
SEC / min / Hr

Press **SET** key

Press **↵** key for range selection

r001 / r001 / r001
SEC / min / Hr

Press **↵** key for range selection
r002 / r002 / r002
SEC / min / Hr

SEC	min	Hr
9.999 SEC	99.99 min	99.99 hr
999.9 SEC	99.9 min	999.9 hr
9999 SEC	9999 min	9999 hr
99.99 SEC	99.99 min	99.99 hr

SEC	min	Hr
9.999 SEC	99.99 min	99.99 hr
999.9 SEC	99.9 min	999.9 hr
9999 SEC	9999 min	9999 hr
99.99 SEC	99.99 min	99.99 hr

Press **SET** key

Press **↵** key for range selection

Unt 2 / Unt 2 / Unt 2
SEC / min / Hr

Press **SET** key
Press **↵** key
1234 UP / 1234 dn

Press **SET** key

Press **↵** key

1234 YES / 1234 nO

Press **SET** key

Press **↵** key for range selection

r002 / r002 / r002
SEC / min / Hr

Press **SET** key

Press **↵** key

PULS / PULS / PULS
P:On / triG / EnbL

SEC	min	Hr
99.99 SEC	99.99 min	99.99 hr
999.9 SEC	99.9 min	999.9 hr
9999 SEC	9999 min	9999 hr
9.999 SEC	9999 min	9999 hr

Press **SET** key to save & exit

Press **SET** key

Working

- 1). Turn ON instrument. SET time according to your requirement.
- 2). In running mode, upper display indicates current TIME value and lower display shows SET time value. Relay ON or OFF controls depends on set time.
- 3). Relay operation is according to selection of Delay ON or Delay OFF in programming menu.
- 4). In cycling mode, relay will turn on for ON time (time-1) & relay will turn off for OFF time (time-2) and this ON-OFF process will continue.
- 5). To reset the time, press Reset Key.

Display Message And Their Meaning

SR.	DISPLAY	DESCRIPTION
1	Time - 1	Time - 1
2	Time - 2	Time - 2
3	P A S S	Password "25"
4	F U n C	Delayed function
5	C Y C L E	Cycling time
6	d L O n	Delayed ON
7	d L O F	Delayed OFF
8	C Y O n	Start from relay on
9	C Y O F	Start from relay off
10	C Y C L	No. of cycle to repeat
11	U n t 1	Unit - 1 for Time - 1
12	U n t 2	Unit - 2 for Time - 2
13	S E C	Seconds set for Time - 1 or 2
14	min	Minute set for Time - 1 or 2
15	H r	Hour set for Time - 1 or 2
16	Time - 1 E	Direction of time counting
17	U P	Up counting
18	d n	Down counting
19	Memory Retain : Yes / No	Memory Retain : Yes / No
20	P U L S	Enable/ Trigger/ Power ON

Safety Precautions

All safety related codifications, symbols and instructions that appear in this operating manual or on the equipment must be strictly followed to ensure the safety of the operating personnel as well as the instrument.

If all the equipment is not handled in a manner specified by the manufacturer, it might impair the protection provided by the equipment .

=> Read complete instructions prior to installation and operation of the unit.

 **WARNING** : Risk of electric shock.

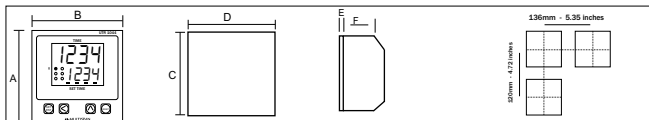
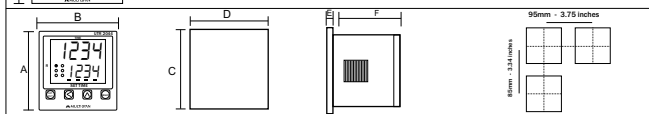
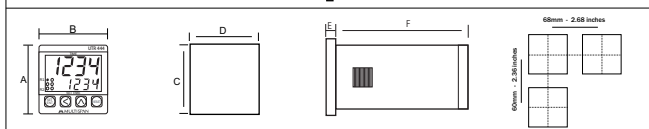
Warning Guidelines

- 1) To prevent the risk of electric shock power supply to the equipment must be kept OFF while doing the wiring arrangement. Do not touch the terminals while power is being supplied.
- 2) To reduce electro magnetic interference, use wire with adequate rating and twists of the same of equal size shall be made with shortest connection.
- 3) Cable used for connection to power source, must have a cross section of 1mm^2 or greater. These wires should have insulations capacity made of at least 1.5kV.
- 4) A better anti-noise effect can be expected by using standard power supply cable for the instrument.

Installation Guidelines

- 1) This equipment, being built-in-type, normally becomes a part of main control panel and such in case the terminals do not remain accessible to the end user after installation and internal wiring.
- 2) Do not allow pieces of metal, wire clippings, or fine metallic fillings from installation to enter the product or else it may lead to a safety hazard that may in turn endanger life or cause electrical shock to the operator.
- 3) Circuit breaker or mains switch must be installed between power source and supply terminal to facilitate power 'ON' or 'OFF' function. However this mains switch or circuit breaker must be installed at convenient place normally accessible to the operator.
- 4) Use and store the instrument within the specified ambient temperature and humidity ranges as mentioned in this manual.

Mechanical Installation

	<table border="1"> <thead> <tr> <th>MODEL</th> <th>A</th> <th>B</th> <th>C</th> <th>D</th> <th>E</th> <th>F</th> </tr> </thead> <tbody> <tr> <td>DIMENSIONS</td> <td>96mm</td> <td>96mm</td> <td>92mm</td> <td>92mm</td> <td>3mm</td> <td>50mm</td> </tr> </tbody> </table>	MODEL	A	B	C	D	E	F	DIMENSIONS	96mm	96mm	92mm	92mm	3mm	50mm
MODEL	A	B	C	D	E	F									
DIMENSIONS	96mm	96mm	92mm	92mm	3mm	50mm									
	<table border="1"> <thead> <tr> <th>MODEL</th> <th>A</th> <th>B</th> <th>C</th> <th>D</th> <th>E</th> <th>F</th> </tr> </thead> <tbody> <tr> <td>DIMENSIONS</td> <td>72mm</td> <td>72mm</td> <td>68mm</td> <td>68mm</td> <td>3mm</td> <td>85mm</td> </tr> </tbody> </table>	MODEL	A	B	C	D	E	F	DIMENSIONS	72mm	72mm	68mm	68mm	3mm	85mm
MODEL	A	B	C	D	E	F									
DIMENSIONS	72mm	72mm	68mm	68mm	3mm	85mm									
	<table border="1"> <thead> <tr> <th>MODEL</th> <th>A</th> <th>B</th> <th>C</th> <th>D</th> <th>E</th> <th>F</th> </tr> </thead> <tbody> <tr> <td>DIMENSIONS</td> <td>48mm</td> <td>48mm</td> <td>45mm</td> <td>45mm</td> <td>3mm</td> <td>95mm</td> </tr> </tbody> </table>	MODEL	A	B	C	D	E	F	DIMENSIONS	48mm	48mm	45mm	45mm	3mm	95mm
MODEL	A	B	C	D	E	F									
DIMENSIONS	48mm	48mm	45mm	45mm	3mm	95mm									

- 1) Prepare the panel cutout with proper dimensions as show above.
- 2) Fit the unit into the panel with the help of clamp given.
- 3) The equipment in its installed state must not come in close proximity to any heating source, caustic vapors, oils steam, or other unwanted process by products.
- 4) Use the specified size of crimp terminal (M3.5 screws) to wire the terminal block. Tightening the screws on the terminal block using the tightening torque of the range of 1.2 N.m.
- 5) Do not connect anything to unused terminals.

Maintenance

- 1) The equipment should be cleaned regularly to avoid blockage of ventilating parts.
- 2) Clean the equipment with a clean soft cloth. Do not use isopropyl alcohol or any other cleaning agent.
- 3) Fusible resistor must not be replaced by operator.

Product improvement and upgrade is a constant procedure. So for more updated operating information and support, Please contact our helpline : +91-9978991474/76/82 or Email at service@multispanindia.com Ver: 1910