

8" Jumbo Display



FEATURES

- 8" bright 4 digit 7 segment display
- Universal Input
(Thermocouple : J/K,
RTD : PT-100 ,
Volt : 0-10V DC,
mA : 4-20mA , 0-20mA)
- Compact design
- Transmitter supply

APPLICATION

- Temperature & Process Indication
- Pressure/Level/Flow Monitoring
- Plastic molding/extrusion temperature monitoring
- Remote Process Supervision
- Heat treatment – furnace temperature monitoring

Technical Specification

INPUT SPECIFICATION:

	Input	Range
Input Types	J	0 to 600 °C
	K	0 to 1200 °C
	PT-100	-99 to 400 °C
	PT.1	-99.9 to 400.0 °C
	0-10V DC	-999 to 9999
	0-20mA DC	-999 to 9999
	4-20mA DC	-999 to 9999
Resolution	J,K,PT-100 = 1 °C	
	PT.1 = 0.1 °C	
	0-10V DC,0-20mA DC,4-20mA DC = 0.1,0.01,0.001,0001	
Indication Accuracy	±1% of FSD ± 1 °C (FSD:- full scale deflection)	

DISPLAY :

Display	8", 4 digit, 7 segment Red display
---------	------------------------------------

DIMENSION:

Size	325 (H) x 630 (W) x 50 (D) mm
------	-------------------------------

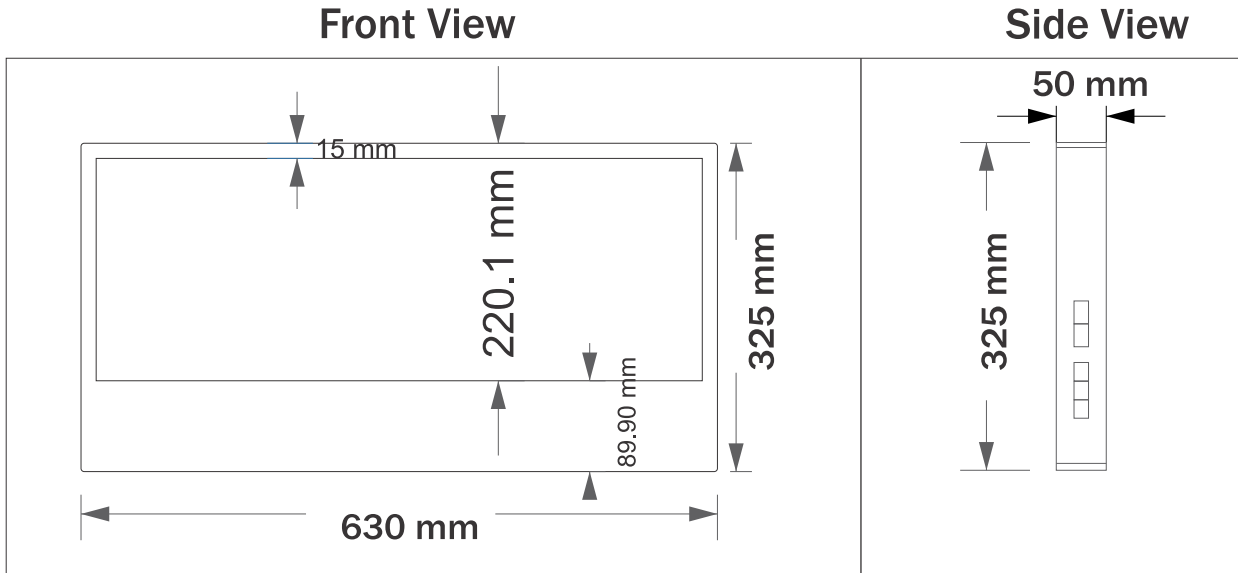
AUXILIARY SUPPLY

Supply voltage	100 to 250V AC, 50-60Hz
----------------	-------------------------

ENVIRONMENT CONDITION

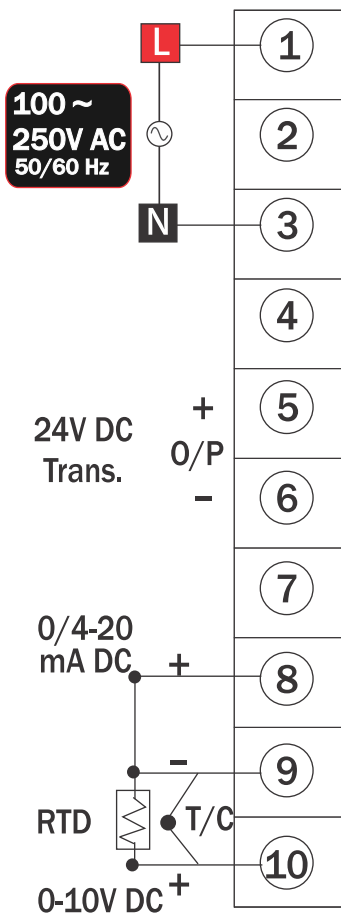
Operating Temp.	0 °C to 55 °C
Relative Humidity	UP to 95% RH (non-condensing)
Protection Level	IP-65 (Front side) As per IS/IEC 60529 : 2001

Mechanical Dimension



Mounting Method : Wall Mounting

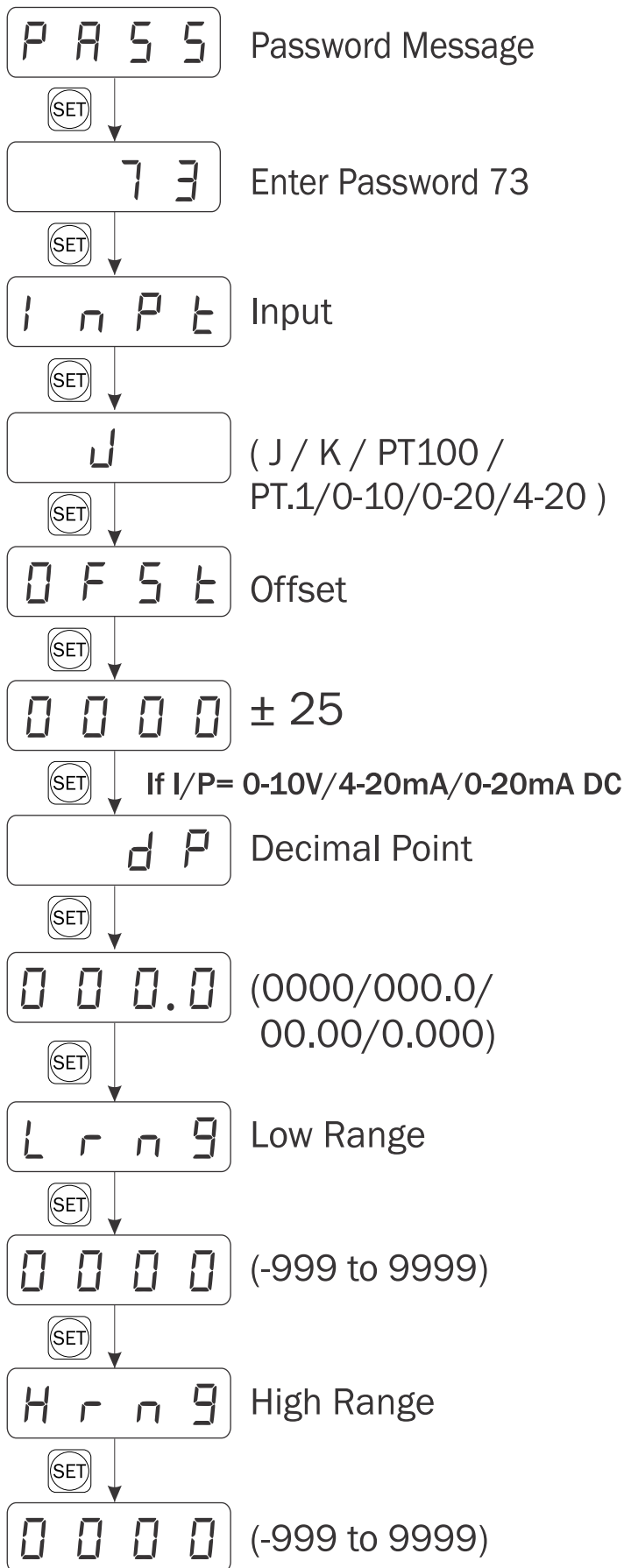
Terminal Connection



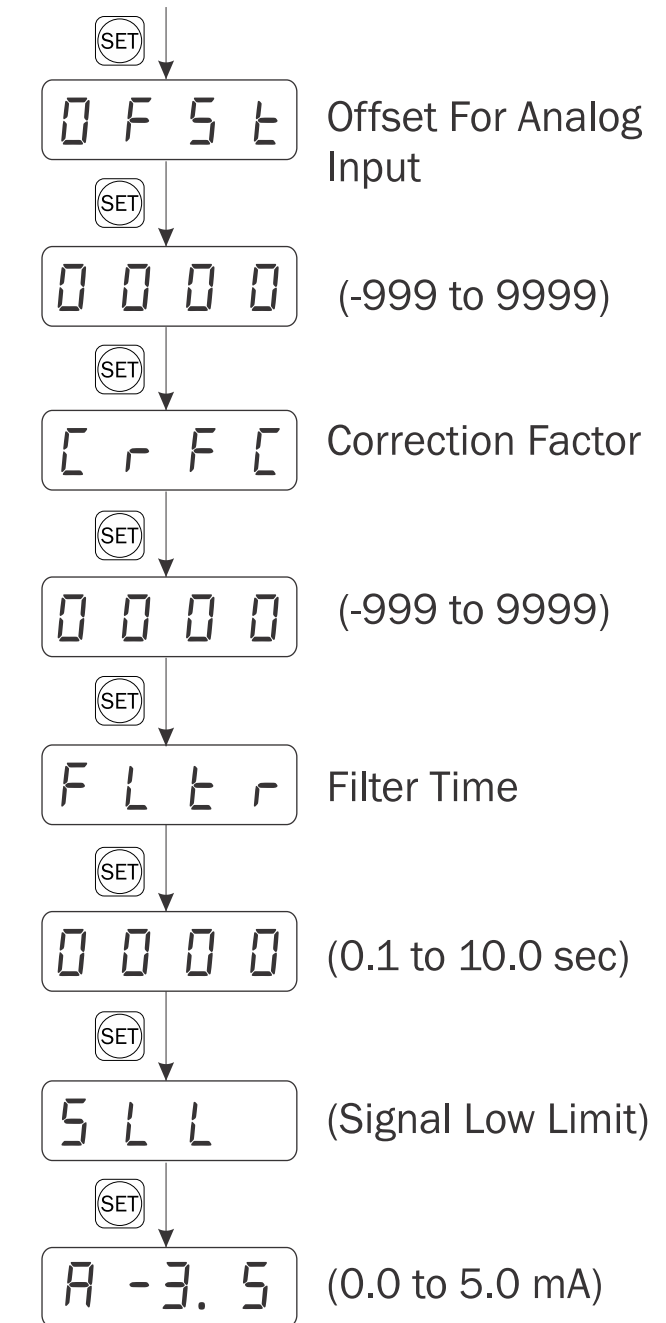
Key Operation

FUNCTION	PRESS KEY
OPERATOR MODE	
To enter in parameter setting	[SET]
PARAMETER SETTING MODE	
To set parameter value	[SET]
To increment parameter value.	[▲]
To decrement parameter value.	[▼]
Set parameter to be save & exit.	[ENT]

Parameter Setting



To be continued



Press (ENT) key to save & exit

Specifications are subject to change, since development is a continuous process. So for more updated operating information and Support, Please contact our Helpline: 9978991476/9978991482/9978991474 or Email at service@multispanindia.com Ver:200206