



ENVIRONMENT CONDITION:

Operating Temp.	0 °C to 55 °C
Relative Humidity	UP to 95% RH (non-condensing)
Protection Level (As per request)	IP-65 (Front side) As per IS/IEC 60529 : 2001

MECHANICAL INSTALLATION

Outline Dimension(mm)	Panel Cutout Dimension (mm)

TECHNICAL SPECIFICATION

INPUT SPECIFICATION

Input Types	Voltage: 0 to 10V DC Current: 0 to 20mA DC, 4 to 20mA DC
I/P Filter Time	0.1 Sec to 10 Sec
Resolution	Decimal point selectable: 0.1, 0.01, 0.001, 0001
Range	-999 to 9999 (For all I/P)
Indication Accuracy	±1% FSD ± 1 digit (FSD - Full Scale Deflection)

DISPLAY AND KEY

Display	UPPER: 4 digit, 7 seg, 0.56" RED LOWER: 4 digit, 7 seg, 0.33" GREEN
Keys	SET, INC, DEC, ENT

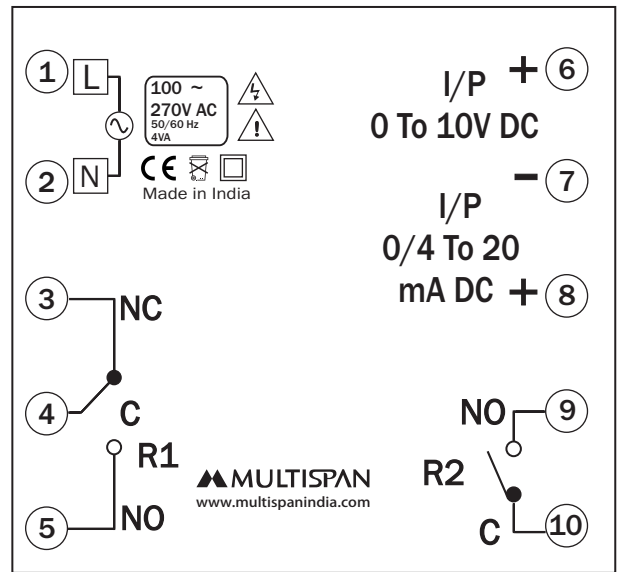
DIMENSION:

Size	48 (H) x 48 (W) x 95 (D) mm
Panel Cutout	45 (H) x 45 (W) mm

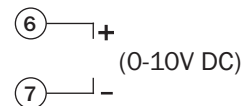
POWER SUPPLY

Supply Voltage	100 to 270V AC, 50-60Hz
Power Consumption (VA Rating)	4VA @ 230V AC MAX

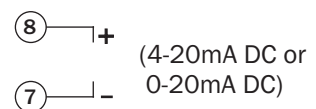
TERMINAL CONNECTION







Connection for voltage I/P



Connection for current I/P



FRONT PANEL DESCRIPTION

FUNCTION	SYMBOL
To edit parameter value & set parameters value.	
To increment the selected parameter value.	
To decrement the selected parameter value.	
For set parameter to be save.	

INSTALLATION GUIDELINES

1. This equipment, being built-in-type, normally becomes a part of main control panel and in such case the terminals do not remain accessible to the end user after installation and internal wiring.
2. Do not allow pieces of metal, wire clippings, or fine metallic fillings from installation to enter the product or else it may lead to a safety hazard that may in turn endanger life or cause electrical shock to the operator.
3. Circuit breaker or mains switch must be installed between power source and supply terminal to facilitate power 'ON' or 'OFF' function. However this mains switch or circuit breaker must be installed at convenient place normally accessible to the operator.
4. Use and store the instrument within the specified ambient temperature and humidity ranges as mentioned in this manual.

MECHANICAL INSTALLATION GUIDELINES

1. Prepare the panel cutout with proper dimensions as show above.
2. Fit the unit into the panel with the help of clamp given.
3. The equipment in its installed state must not come in close proximity to any heating source, caustic vapors, oils steam, or other unwanted process by products.
4. Use the specified size of crimp terminal (M3.5 screws) to wire the terminal block. Tightening the screws on the terminal block using the tightening torque of the range of 1.2 N.m.
5. Do not connect anything to unused terminals.

MAINTENANCE

1. The equipment should be cleaned regularly to avoid blockage of ventilating parts.
2. Clean the equipment with a clean soft cloth. Do not use isopropyl alcohol or any other cleaning agent.
3. Fusible resistor must not be replaced by operator.

SAFETY PRECAUTION

All safety related codifications, symbols and instructions that appear in this operating manual or on the equipment must be strictly followed to ensure the safety of the operating personnel as well as the instrument.

If all the equipment is not handled in a manner specified by the manufacturer, it might impair the protection provided by the equipment.



Read complete instructions prior to installation and operation of the unit.



WARNING : Risk of electric shock.

WARNING GUIDELINES



WARNING : Risk of electric shock.

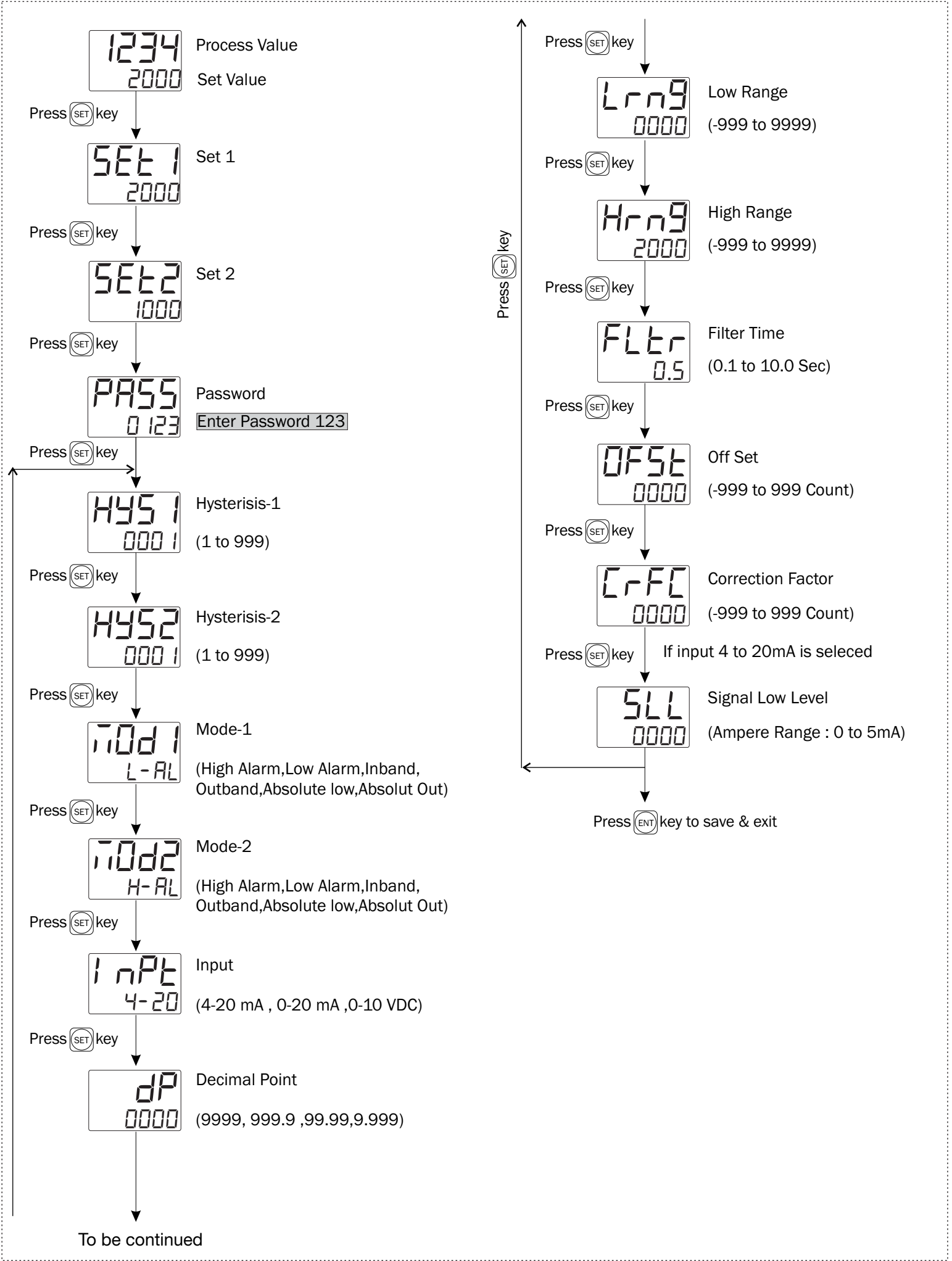
1. To prevent the risk of electric shock power supply to the equipment must be kept OFF while doing the wiring arrangement. Do not touch the terminals while power is being supplied.
2. To reduce electro magnetic interference, use wire with adequate rating and twists of the same of equal size shall be made with shortest connection.
3. Cable used for connection to power source, must have a cross section of 1mm or greater. These wires should have insulations capacity made of at least 1.5kV.
4. A better anti-noise effect can be expected by using standard power supply cable for the instrument.

ERROR DISPLAY

When an error has occurred the display indicates error codes as given below.

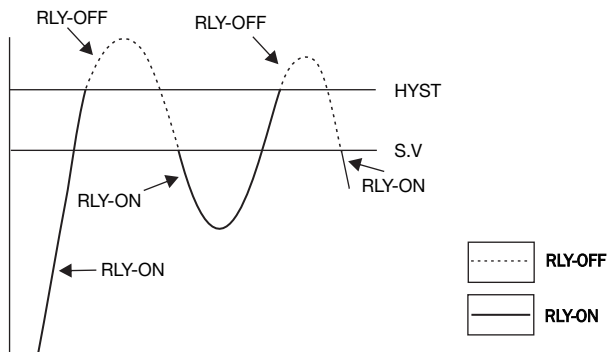
ERROR	MEANING
OVER	Over range Input applied 1) For 0 to 10V DC - exceed 10 V DC 2) For 0/4-20mA dc - exceed 20mA DC
LOW	When I/P is 4 to 20mA DC is selected, than I/P signal is lower than SLL (0-5mA)

USER CONFIGURATION

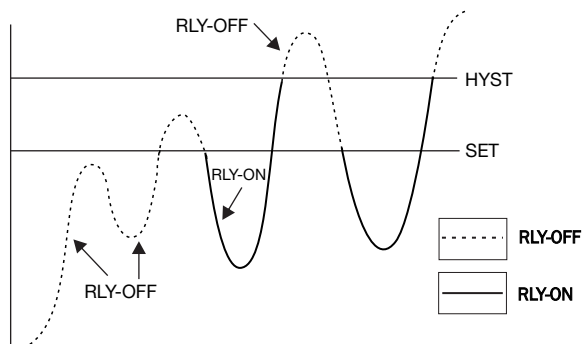


To be continued

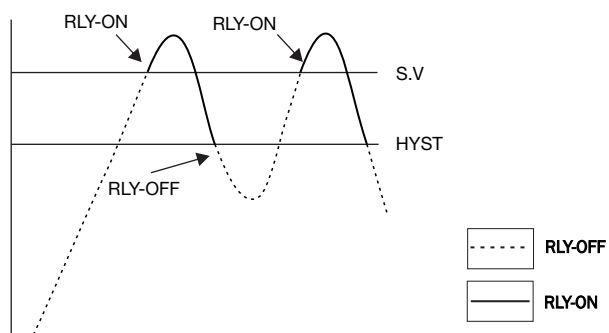
LOW ALARM:



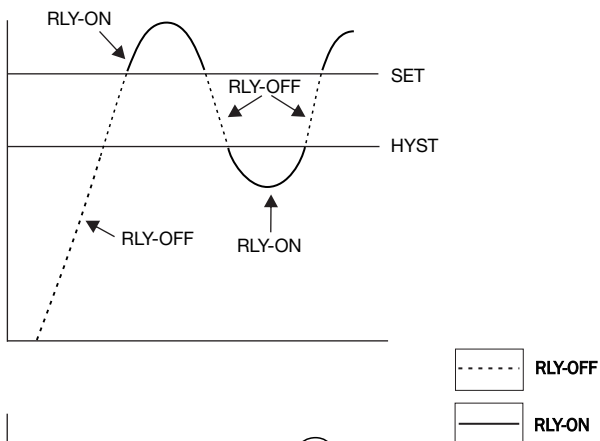
ABSOLUTE LOW ALARM



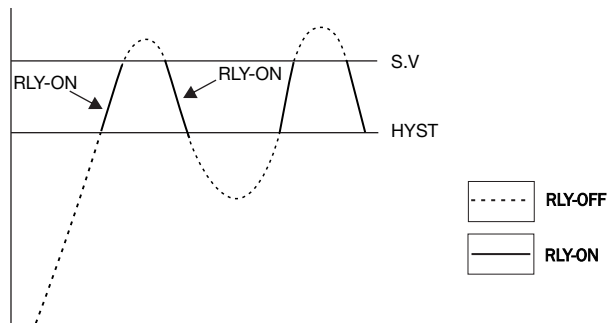
HIGH ALARM:



ABSOLUTE OUTBAND ALARM



INBAND ALARM



OUTBAND ALARM

