

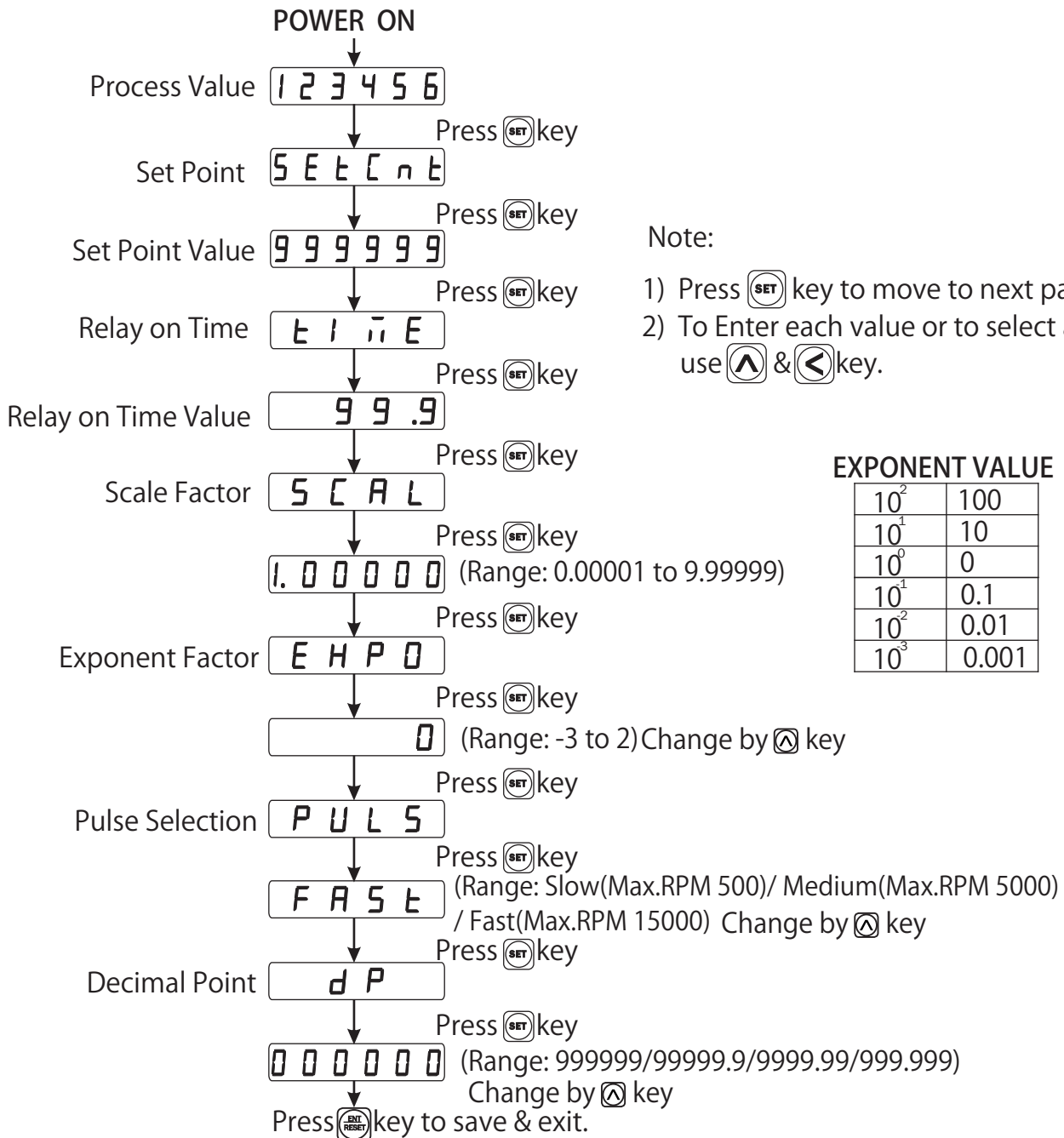
## Technical Specification

Model	PC-3006
Dimension	48 X 96 X 120 mm
Panel Cutout	44 X 92 mm
Display	Single Display: 6 digit, 0.4", 7 segment, Red LED
Output	1 relay, 1 C/O, 230V AC, 5A
Supply	230V AC
Sensor	Proximity PNP / NPN Switch Selectable & microswitch
Memory	Power Fail Facility
Reset	Front Reset Key & Reset at back

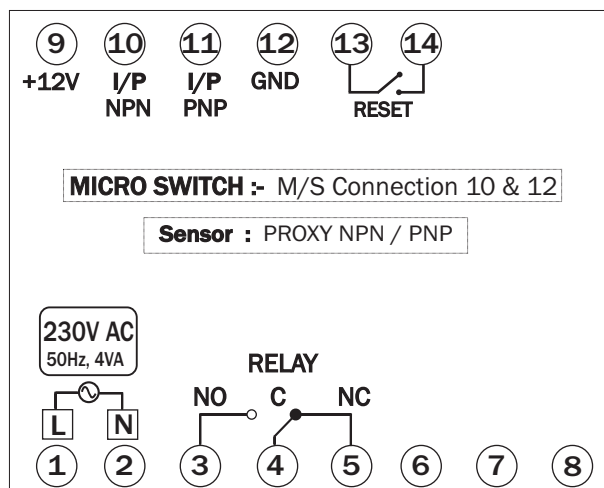
## Working Principle

- 1). When pulse comes from sensor, Display indicates increase 'COUNT'.
- 2). For Manual Mode, set time = 00.0 sec. and for Auto Reset Mode, set time = 00.1 to 99.9 sec.
- 3). When process value = set point value, Relay energise. Relay remains ON for Auto Reset Time Relay turns off after completion of time. If time is set at 00.0 sec. then relay remains ON until RST key is pressed.
- 4). If there is a power failure the last reading is stored in the memory and Counter starts resume counting from the last stored value, when power ON.
- 5). To restart Counting or to Reset press RST key. Upper display will show 000000 and the counting will restart.
- 6). The proximity switch give pulse to counter every time the metal on the roller is sensed.

# Procedure to Program the Programmable Counter



## Connection Diagram



Product improvement and upgrade is a constant procedure. So for more updated operating information and support, Please contact our helpline : 9978991474/76/82 or Email at [service@multispaindia.com](mailto:service@multispaindia.com) Ver:1907