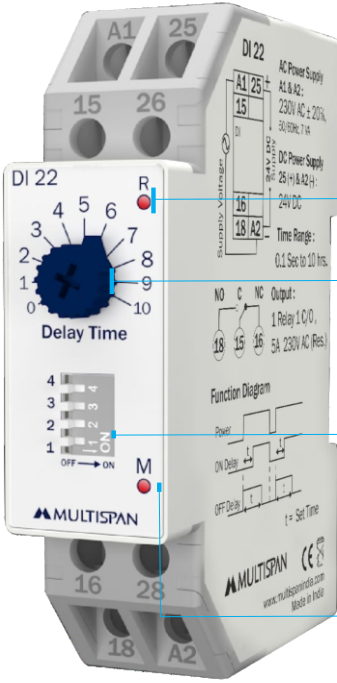


|              |                           |
|--------------|---------------------------|
| <b>DI</b>    | <b>ON OFF Delay Timer</b> |
| <b>Model</b> | <b>DI 22</b>              |



**RELAY OUTPUT**

**KNOB**




for time range setting

**PIANO SWITCH**

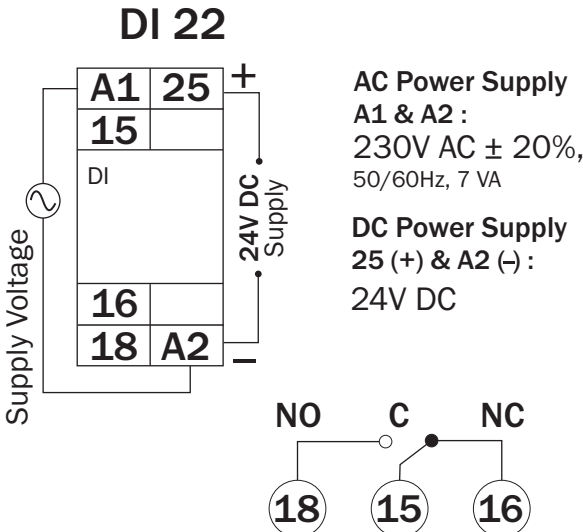
for time range selection & Delay on/off mode selection

**MAIN LED**

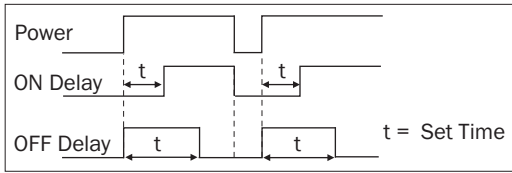
for visualisation of power supply status

|  |  |
|--|--|
|  | <b>Power Supply :</b> 230 V AC $\pm 20\%$ , 50 Hz & 24V DC |
|  | <b>Output:</b> 1 Relay O/P (1 C/O, 5A 230 VAC)             |
|  | <b>Time Range :</b> 0.1 sec to 10 hour                     |

## Terminal Connection:



## Timing Diagram:



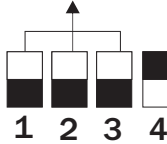
## Dip switch selection:

| SW 1 | SW 2 | SW 3 | Multiplier<br>(Knob Indication) | Range   |
|------|------|------|---------------------------------|---------|
| ON   | ON   | ON   | 0.1 Sec X 10                    | 1 Sec   |
| OFF  | ON   | ON   | 1 Sec X 10                      | 10 Sec  |
| ON   | OFF  | ON   | 3 Sec X 10                      | 30 Sec  |
| OFF  | OFF  | ON   | 10 Sec X 10                     | 100 Sec |
| ON   | ON   | OFF  | 1 min X 10                      | 10 Min  |
| OFF  | ON   | OFF  | 3 min X 10                      | 30 Min  |
| ON   | OFF  | OFF  | 10 min X 10                     | 100 Min |
| OFF  | OFF  | OFF  | 1 Hrs. X 10                     | 10 hrs. |



## Switch Settings

Switch-1,2 & 3 for time range selection

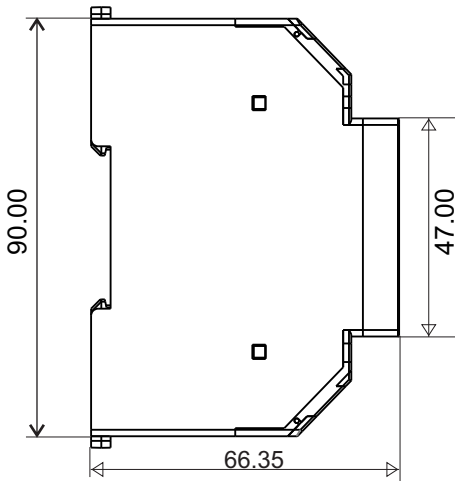


### Switch 4

Switch 4 for Mode selection

|     |             |
|-----|-------------|
| ON  | Delayed OFF |
| OFF | Delayed ON  |

## Dimension



**NOTE:**  
All dimension are in mm.

Multispan reserves the right to change specifications without prior notice. Printing and typographical errors reserved.  
Product improvement and upgrade is a constant procedure.

## Multispan Control Instruments Pvt. Ltd.

72/B, Phase 1, GIDC Estate, Vatva, Ahmedabad-382445, Gujarat, India.

☎ +91-9978991476/9978991474/9978991482

✉ Service@multispanindia.com

Follow us



www.multispanindia.com