

AC POWER METER

DC POWER METER

Features

- 1) AC Parameter : AC-Voltage (V), AC-Current (A), AC-Power (W), Power Factor (PF)
True RMS Measurement of AC parameters : Volt ,Amp,Watt & Power Factor
- 2) DC Parameter : DC-Voltage (V), DC-Current (A) , DC-Power (W),
- 3) Efficiency(%) = $\frac{\text{Output Power}}{\text{Input Power}} \times 100$
- 4) Specification: Fuse Protection, RS-485 MODBUS

Technical Details

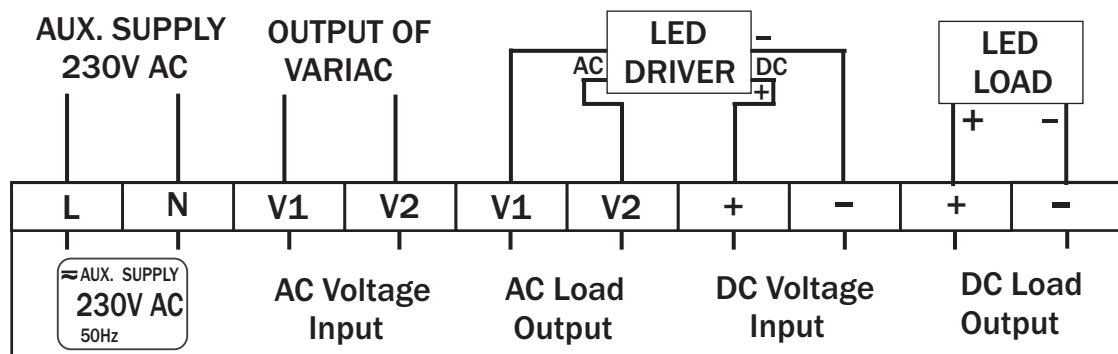
Panel Dimension : 150 (H) X 250 (W) X 50 (D) mm

Front Panel

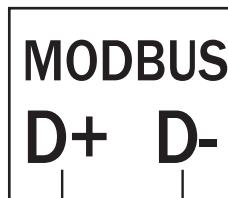
DISPLAY : 4 Lines, 4 Digit/Line seven segment LED Display
 DIGIT COLOUR : RED
 DIGIT HEIGHT : 0.50"

Parameter Display	AC-Power Meter	DC-Power Meter
Voltage (V)	10 - 300 Volt AC	5V - 150 Volt DC
Current (A)	10mA-5.000 Amp AC	10mA-5.000 Amp DC
Active Power (W)	0-1500 Watt	0-750 Watt
Power Factor (PF)	0 - 1.000 PF	—
Efficiency (%)	—	0-100.0 %
Aux. Supply	230V AC,50 Hz	230V AC,50 Hz

Connection Diagram



MODBUS Connection Diagram



Fix Modbus Parameter

- 1) Address:- 1
- 2) Baudrate:- 9600
- 3) Parity: None
- 4) Rdfc:- 0X03
- 5) Data Type:- Float

Parameters	Address
AC Voltage	30000
AC Current	30002
AC Watt	30004
Power factor	30006
Efficiency	30008
DC Voltage	30010
DC Current	30012
DC Watt	30014