



UNIVERSAL TIMER UTR- 1044,2044,444

TECH SPECS

Model	UTR-1044	UTR-2044	UTR-444
Dimension (HxWxD) mm	96 x 96 x 52	72 x 72 x 45	48 x 48 x 70
Panel Cutout (mm)	92 x 92	68 x 68	45 x 45
Input	Start Pulse NPN/PNP Proximity, Micro Switch		
Time Range	Sec	9,999/ 999.9/ 9999	
	Min	99.59/ 999.9/ 9999	
	Hour	99.59/ 999.9/ 9999	
Output	1 Relay 2 C/O, 5A, 230V AC For Resistive Load		
Operating Mode	Cyclic ON Cyclic OFF Delay ON Delay OFF		
Power Supply	100-270V AC, 50/60 Hz, Approx 4VA		
Certification	CE		

APPLICATIONS

Packaging Machinery

Extrusion Machinery

Furnace & Boilers

Ovens & Incubators

Food Industry

Technical Specifications

Input	
Start Pulse	▶ NPN/PNP Proximity ▶ Micro Switch
TimeRange	Sec 9.999/ 999.9/ 9999
	Min 99.59/ 999.9/ 9999
	Hour 99.59/ 999.9/ 9999
Accuracy	± 1% of FSD

Output	
Relay Control Output	
Relay	1Relay, 2C/O
Rating	5A @230V AC / 28V DC Resistive Load

Operating Mode	
Operating Mode	Cyclic ON
	Cyclic OFF
	Delay ON
	Delay OFF
Counting Direction	UP/ Down
Reset Option	Front Panel Reset Terminal Reset

Display		
Process Value	UTR-1044 , 2044	UTR-444
	UPPER:- 4 Digit 7 seg 0.70",RED LED Display	UPPER:- 4 Digit 7 seg 0.56",WHITE / RED LED Display
Set Value	LOWER:- 4 Digit 7 seg 0.50",GREEN LED Display	LOWER:- 4 Digit 7 seg 0.33",GREEN LED Display
	LED Indication	Relay

Power Supply	
Standard	100 - 270V AC @ 50/60 Hz
Optional	24V DC
Consumption	4VA

Physical			
	UTR-1044	UTR-2044	UTR-444
Mount	Panel		
Enclosure	ABS		
Weight	210gm	240gm	150gm
Color	Black		
Front Bezel (mm)	96 x 96	72 x 72	48 x 48
Panel cutout (mm)	92 x 92	68 x 68	45 x 45
Depth behind panel	52 mm	45 mm	70 mm
Accessories	1 pair of Mounting clamp		
Terminal Cable Size	Barrier Type terminal Cable Size (2.5 mm ²)		

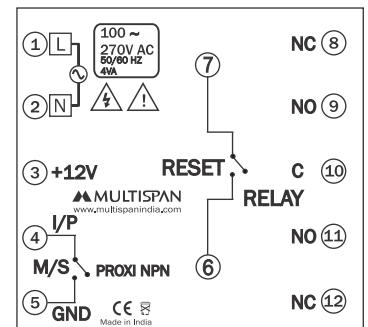
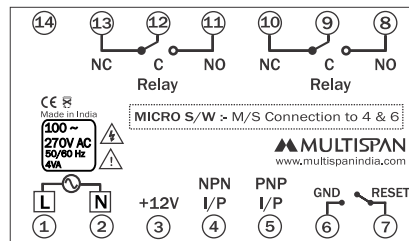
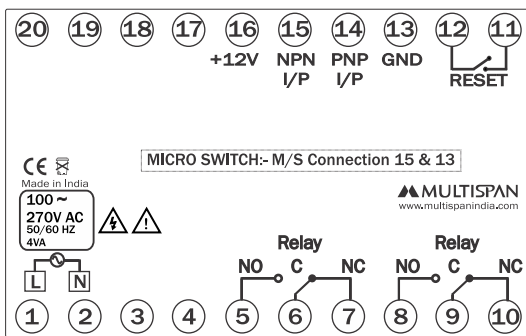
Keys
4 keys for configuration and operation like SET/ENT, SHIFT, UP, RESET

Environmental	
Operating Temperature	0 to 55 °C
Storage Temperature	0 to 70 °C
Humidity	95% RH Non-condensing
Protection	IP 65 (Front Side)

Mechanical Dimension

	UTR-1044	A	B	C	D	E	F
	DIMENSIONS	96mm	96mm	92mm	92mm	3mm	52mm
	UTR-2044	A	B	C	D	E	F
	DIMENSIONS	72mm	72mm	68mm	68mm	3mm	45mm
	UTR-444	A	B	C	D	E	F
	DIMENSIONS	48mm	48mm	45mm	45mm	3mm	70mm

Connection Diagram



Multispan reserves the right to change specifications without prior notice. Printing and typographical errors reserved.
Product improvement and upgrade is a constant procedure. So for more updated operating information & support contact us.

Multispan Control Instruments Pvt. Ltd.

72/B, Phase 1, GIDC Estate, Vatva, Ahmedabad-382445, Gujarat, India.

+91-7575805463/7623001206

support@multispanindia.com

Follow us



www.multispanindia.com