

UNIVERSAL TEMPERATURE CONTROLLER UTC- 214



TECH SPECS

Model	UTC- 214
Dimension (HxWxD) mm	72 x 72 x 45
Panel Cutout	68 x 68
Input	J/K/PT-100 2W/3W (Configurable)
Range	J: 600° C, K: 1200° C PT: -99° C to 400° C ,PT.1: -99.9° C to 400.0° C
Output	1 Relay 1 C/O, 5A, 230V AC & SSR 12V DC Parallel (1 Set point)
Control Action	PID / ON-OFF/TP (Configurable)
Mode	Heating / Cooling (Configurable)
Power Supply	100-270V AC, 50/60 HZ

APPLICATIONS

Packaging Machinery

Extrusion Machinery

Furnace & Boilers

Ovens & Incubators

Food Industry

Technical Specifications

Input	
Input Type	Thermocouple : (J, K) PT, PT.1
Display Range	Refer (Table 1)
Accuracy	± 1% of FSD
ADC Resolution	10 Bits
Display Resolution	Thermocouple : 1 °C PT : 1 °C / 0.1 °C
Sample Rate	6 Sample / Sec
CJC Error	± 2 °C
Sensor Open	All Input
Sensor Burnout Current	1.10uA
RTD Excitation Current	0.2mA
CMRR	>120 db (Typical)
Input Impedance	>1M
Max Voltage	20V DC

Output	
Control Output	
Control Type	On-Off, Auto tune PID,TP
Proportional Band	0000 to 999.9
Integral Time	0000 to 9999
Derivative Time	0000 to 9999
Cycl Time For SSR For Relay	1 sec to 99 sec 4 sec to 99 sec
Relay Control Output	
Relay	1 Nos.
Rating	10A @230V AC / 28V DC Resistive Load
SSR Control Output	
Rating	12V DC @30mA

Physical	
	UTC-214
Enclosure	Molded ABS
Color	Black
Front Bezel (mm)	72 x 72
Panel cutout (mm)	68 x 68
Depth behind panel	45 mm
Accessories	1 pair of Mounting clamp
Terminal Cable Size	Barrier Type terminal Cable Size (2.5 mm ²)

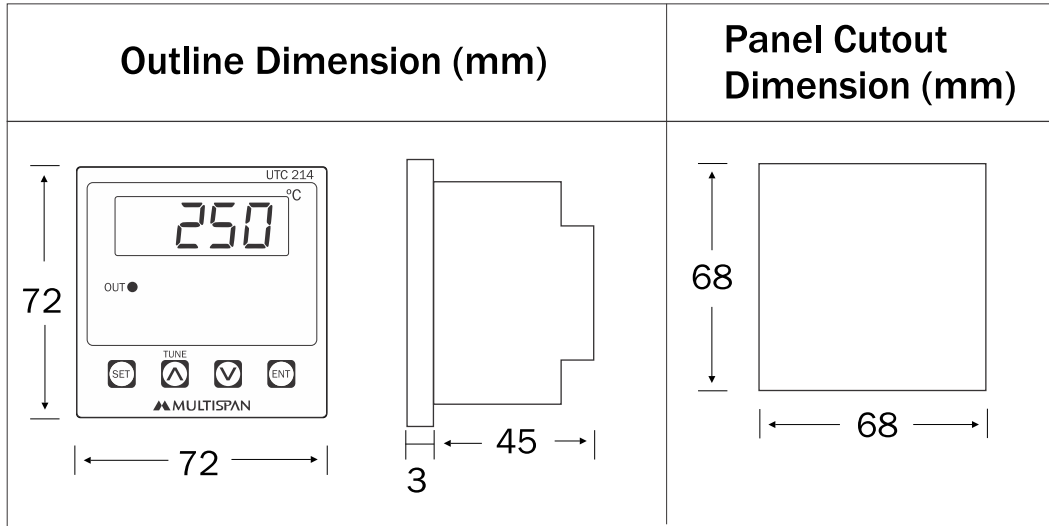
Display	
Process Value	4 Digit 7 seg 0.56",RED LED Display
Keys	SET, UP, DOWN,ENTER
LED Indication	Relay

Environmental	
Operating Temperature	0 to 55 °C
Storage Temperature	0 to 70 °C
Humidity	95% RH Non-condensing
Protection	IP 54 (Front Side)

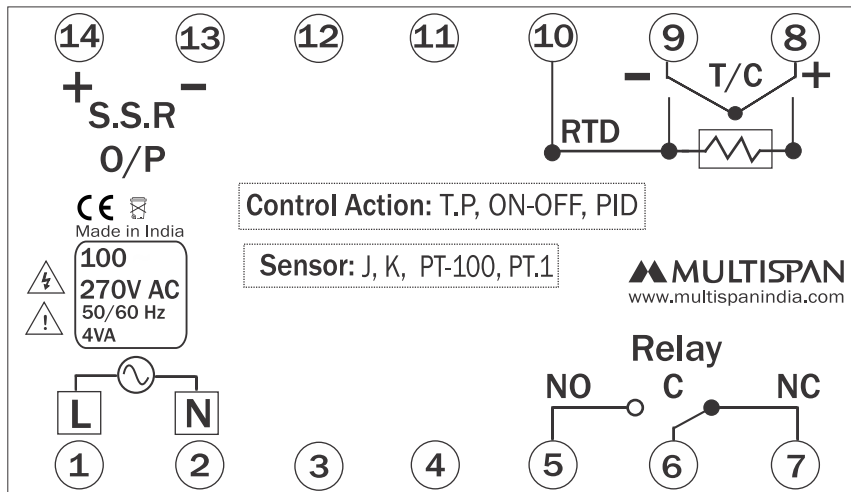
Power Supply	
Standard	100 - 270V AC @ 50/60 Hz
Optional	24V DC
Consumption	4VA

Table 1 (Sensor Range)	
J	0 to 600 °C
K	0 to 1200 °C
PT-100	-99 to 400 °C
PT.1	-99.9 to 400.0 °C

Mechanical Dimension



Connection Diagram



Multispan reserves the right to change specifications without prior notice. Printing and typographical errors reserved.
Product improvement and upgrade is a constant procedure. So for more updated operating information & support contact us.

Multispan Control Instruments Pvt. Ltd.

72/B, Phase 1, GIDC Estate, Vatva, Ahmedabad-382445, Gujarat, India.

+91-7575805463/7623001206

support@multispanindia.com

Follow us



www.multispanindia.com