

MS-1248U

8 Channel Temperature Scanner With Data logger



TECH SPECS

Dimension (HxWxD) mm	96 x 96 x 52	
Input	Thermocouple	J / K
	RTD	PT-100 3 Wire / 2 Wire
Range	J: 0 to 600° C, K: 0 to 1200° C PT-100: -99° C to 400° C PT.1: -99.9° C to 400.0° C	
Output	Output 1	4 Relay With Grouping Facility
	Output 2	USB Port With Data logging Facility
Accuracy	± 1 % FSD	

APPLICATIONS

Pharma & Chemical Industry application

Generator

Monitoring & Protection

Remote terminal unit (RTU) For SCADA

Compressor/Pump/DG set monitoring

Machine Condition Monitoring

As a distributed I/O module for interface with PLC/DCS/SCADA

Laboratory Equipment Monitoring

Technical Specifications

Display

Process Value	Upper : 0.70" 4 Digit Red LED 7 Segment Display
Channel No. & Relay Status	Lower : 0.5" 4 Digit Green LED 7 Segment Display
LED Indications	Status of each relay and Alarm

Input

ADC Resolution	12 bit
Display Resolution	Thermocouple : 1 °C RTD : 1 °C / 0.1 °C
Sampling Rate	250 mS/Channel

Relay Output

No of Relay	4
Type	1 C/O
Rating	5A @ 230V AC / 30V DC

Input Channels : 8

Input Type	Range
J	0 to 600 °C
K	0 to 1200 °C
PT-100	-99 to 400 °C
PT.1	-99.9 to 400.0 °C

Environmental

Operating Temperature	0 to 55 °C
Storage Temperature	0 to 70 °C
Humidity	95% RH Non-condensing

Keys

6 controlling keys for configuration and operation

Power Supply

Standard	100 - 250V AC @ 50/60 Hz
Optional	24V DC
Consumption	4VA

Accuracy

J , K , PT-100 , PT.1 ,	± 1 % FSD
CJC error	±3 °C
T/C Burnout current	1.10uA
RTD excitation current	0.2mA
CMRR	> 120 db (Typical)
Input Impedance	> 1 M
Max Voltage	20V DC

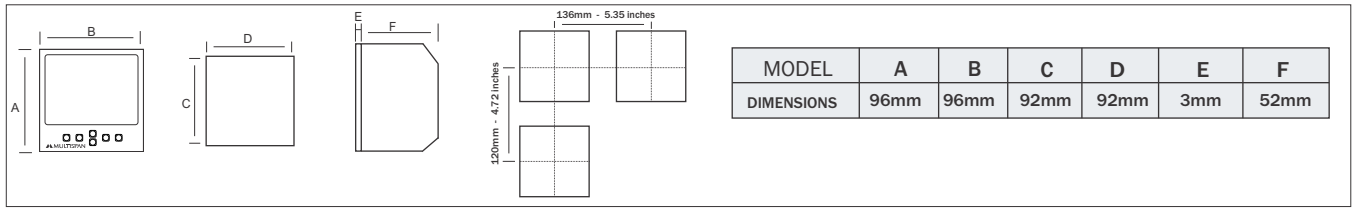
Data Logging(Optional)

Memory Type	Non Volatile (2mb)
Data logging type	Periodic
RTC time format	DD/MM/YY HH:MM:SS
Sampling Time	1 Sec minimum (Programmable)
USB Port	1 (USB 2.0) Mass Storage
USB Function	For retrieving logged data only
Storage device format	FAT 32
Data fetch file format	.csv (Microsoft Excel)
Data retrieving option	Full data fetch
Periodic logging sample numbers	8000 max.
Alarm indication for memory full	After 75% memory occupied

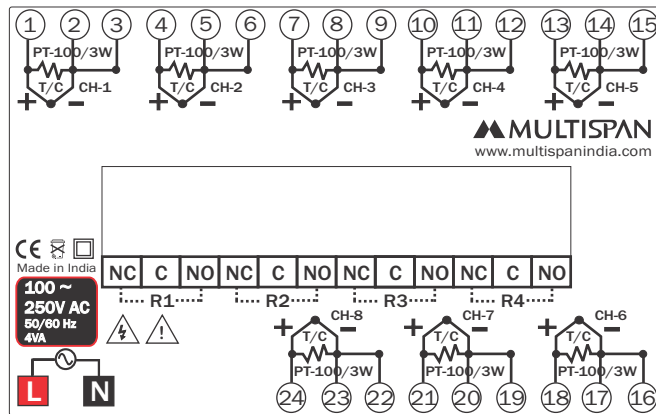
Physical

Enclosure	Molded ABS
Color	Black
Front Bezel (mm)	96 x 96
Panel cutout (mm)	92 x 92
Depth behind panel (mm)	52
Accessories	1 pair of Mounting clamp

Mechanical Dimension



Connection Diagram



Multispan reserves the right to change specifications without prior notice. Printing and typographical errors reserved.
Product improvement and upgrade is a constant procedure. So for more updated operating information & support contact us.

Multispan Control Instruments Pvt. Ltd.

72/B, Phase 1, GIDC Estate, Vatva, Ahmedabad-382445, Gujarat, India.

+91-7575805463/7623001206

support@multispanindia.com

Follow us



www.multispanindia.com