

# MI-532

## SIGNAL ISOLATOR



## TECH SPECS

Dimension (HxWxD) mm	100 x 17.5 x 115
Mounting	Din rail Mounting
Input ( Any one factory set )	0 -20mA DC / 4 to 20mA DC/ 0 to 10V DC
Output ( Any one factory set )	Dual Output :- 0 -20mA DC/ 4 to 20mA DC/ 0 to 10V DC, 24V DC Transmitter Supply (Optional)
Power Supply	100-270V AC/DC, 50/60 Hz SMPS / 24V DC ( Factory set )
Features	<ul style="list-style-type: none"> <li>● 1.5KV isolation supply, input &amp; output</li> <li>● Linearized O/P</li> <li>● Zero &amp; span correction facility through trim port</li> <li>● Fast response time &lt;150ms</li> </ul>

## APPLICATIONS

- Field Interface device
- Impedance matching of transmitters and receiver
- Isolation of field signals
- Distribution of signals
- Factory automation
- Powering of field Transmitters

# Technical Specifications

Input	
Input type	Voltage / Current (Factory Set)
Input Range	
Voltage	0 to 100mV DC, -5V to 5V DC 0 to 10V DC, 0 to 500V DC (Factory Set)
Current	4 to 20mA DC, 0 to 20mA DC (Factory Set)
Input Impedance	
Current Input	$\leq 100\Omega$
Voltage Input	$\geq 100K\Omega$
CMRR	>120 db ( Typical )
Temperature Co-efficient	<100 PPM

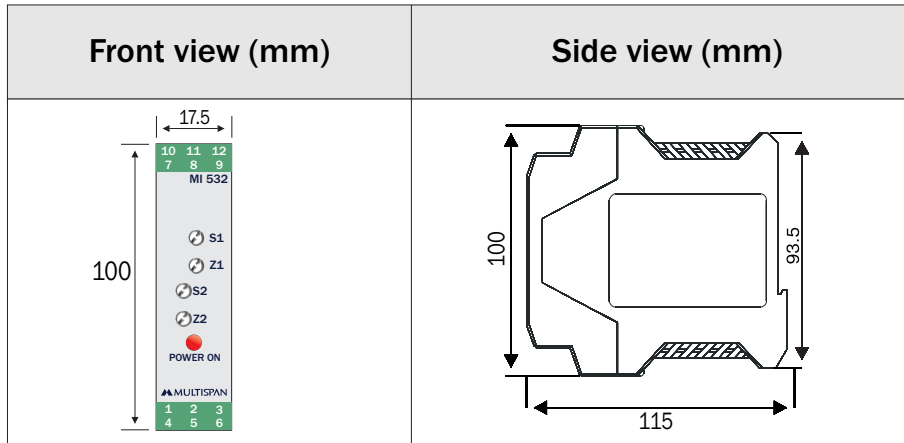
Output	
Output type	Voltage / Current (Factory Set)
Output Range	
Voltage	Dual 0 TO 10 V DC
Current	Dual 0 TO 20 mA / Dual 4 To 20 mA DC
Response Time	<150 ms
Accuracy	$\pm 0.5\%$ of FSD
Transmitter Power Supply	24V DC ( 30mA capacity )
Output Impedance	
Voltage Output	400 $\Omega$
Current Output	500 $\Omega$

Power Supply	
Auxiliary Voltage	100 - 270V AC/DC
Power Consumption	less than 5VA
Power Dissipation	
Power ON status LED	RED
Isolation type	Optical - 3 way
Isolation	
Isolation between supply and Input	At least 2KV AC for 1 min.
Isolation between supply and Output	At least 2KV AC for 1 min.
Isolation between Input and Output	At least 2KV AC for 1 min.

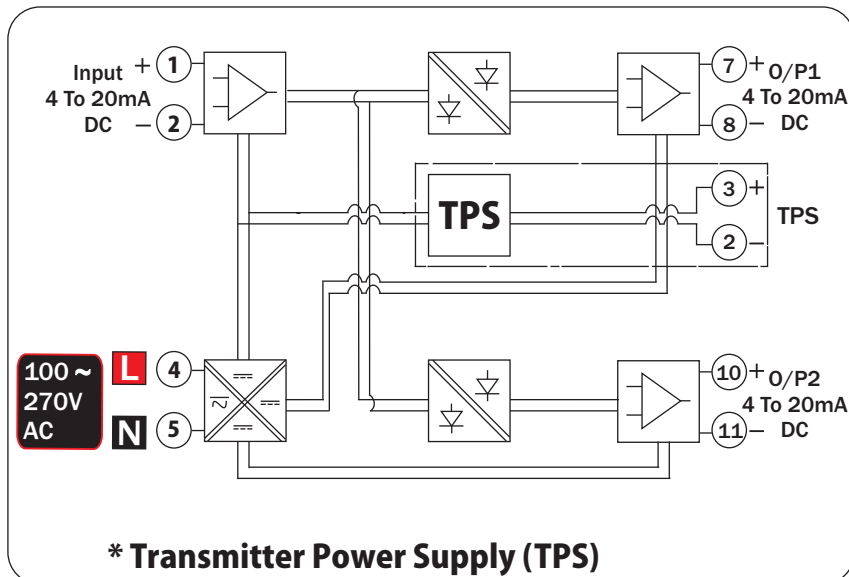
Physical	
Mounting Type	Din Rail
Terminal Compliance	RU, CQC, RoHS
Terminal Cable Size	Barrier Type terminal Cable Size ( 2.5 mm <sup>2</sup> )
Enclosure Material	ABS ( Front & Back )
Size ( HxWxD ) mm	100 X 17.5 X 115
Weight	130gm

Environmental	
Ambient Temperature	0 to 55 °C
Relative Humidity	95% RH Non-condensing
Protection	Conformal Coating on PCB

## Mechanical Dimension



## Connection Diagram



Multispan reserves the right to change specifications without prior notice. Printing and typographical errors reserved.  
Product improvement and upgrade is a constant procedure. So for more updated operating information & support contact us.

### Multispan Control Instruments Pvt. Ltd.

72/B, Phase 1, GIDC Estate, Vatva, Ahmedabad-382445, Gujarat, India.

+91-7575805463/7623001206

support@multispanindia.com

Follow us



www.multispanindia.com