

MFM 14DC-M1

DC Multi Function Meter



TECH SPECS

Dimension (HxWxD) mm	96 x 96 x 54
Panel Cutout (mm)	92 x 92
Input	<p>DC Voltage 0 to 1000V DC</p> <p>DC Current 75mV DC through external shunt</p> <p>Shunt Selectable 5 to 9999 Amp DC</p>
Calculated Parameter	DC Voltage, Ampere, Watt, kWh
Output	2 Relay 1C/O,10Amp,230V AC RS-485 Modbus (Optional)
Accuracy	Class 1.0
Power Supply	24 to 270V AC/DC

APPLICATIONS

Electrical Control Panel

Power Distribution

Instrumentation Panel

Transformer training

Technical Specifications

Input	
Voltage	
Direct Voltage DC	0 to 1000V DC 0.00 to 19.9V DC 20.0 to 49.9V DC 50.0 to 199.9V DC 200.0 to 1000V DC
Current AC	
Direct Current	Through External Shunt (0-75mV DC)
Burden	<0.2 VA
Starting Current	60mA
Shunt Selectable	0 to 9999 Amp DC

Auxiliary Power Supply	
Power Supply	24 to 270V AC/DC
Burden	4VA

Physical	
Mounting Type	Panel Mount
Size (H x W x D)mm	96 X 96 X 54
Front Bezel (H x W) mm	96 X 96
Panel Cutout	92 X 92 mm
Depth Behind panel	54mm
Material	ABS
Accessory	2 Panel Mounting Clamp
Protection (As Per Request)	IP 65 (Front Side)
Terminal & Cable Size	Barrier Type terminal Cable Size (2.5 mm ²)

Calculated Parameter		
DC Voltage	Range	Accuracy
	0.00 - 19.99 V DC	1 % OF 19.99V
	20.0 - 49.99 V DC	1 % OF 49.99V
	50.0 - 199.9 V DC	1 % OF 199.9V
	200.0 - 1000 V DC	1 % OF 1000 V
DC Current	0000 - 9999A DC	
WATT	0000 - 9999 KW	
KWH	0 to 999999	

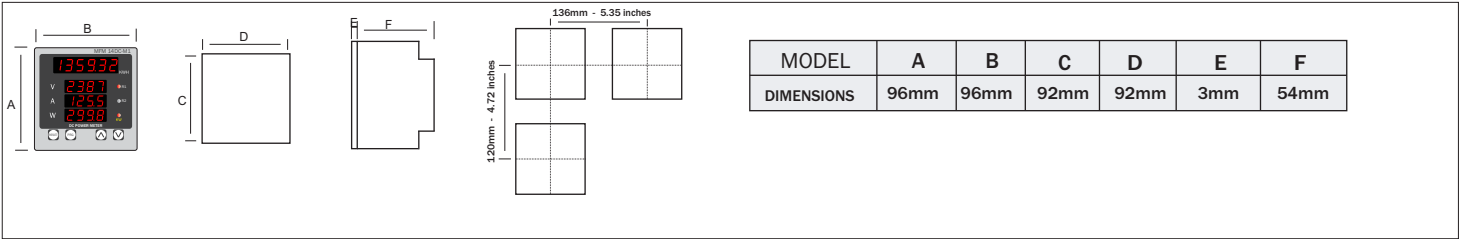
Environmental	
Working Temperature	0 to 55 °C
Storage Temperature	0 to 55 °C
Relative Humidity	95% RH Non-condensing

Display & Keys	
Display	6 Digit, 6Line 7 seg. 0.40" Red LED Display 4 Digit, 4Line 7 seg. 0.40" Red LED Display
Key	RESET, PRG, INC, DEC

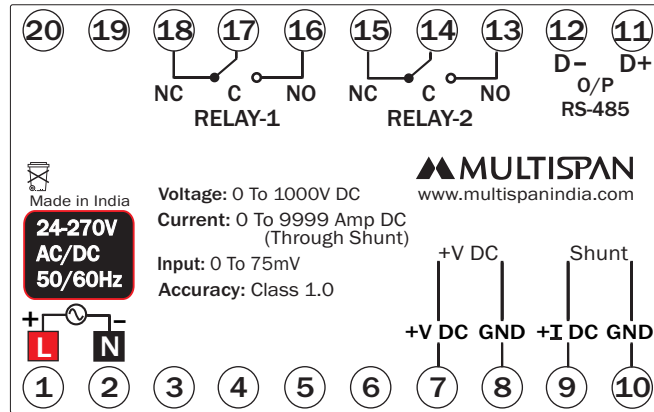
Accuracy
Class 1.0 (Standard)

Output	
Relay	2Relay 1C/O,10A,230V AC
RS-485 Modbus (Optional)	

Mechanical Dimension



Connection Diagram



Multispan reserves the right to change specifications without prior notice. Printing and typographical errors reserved.
Product improvement and upgrade is a constant procedure. So for more updated operating information & support contact us.

Multispan Control Instruments Pvt. Ltd.

72/B, Phase 1, GIDC Estate, Vatva, Ahmedabad-382445, Gujarat, India.

+91-7575805463/7623001206

support@multispanindia.com

Follow us



www.multispanindia.com