



DIGITAL TIMER MDT- 4310N

TECH SPECS

Model	MDT-4310N	
Dimension (HxWxD) mm	48 x 48 x 70	
Panel Cutout (mm)	45 x 45	
Input	Start Pulse	Micro Switch
Time Range	Sec	9.99/ 99.9/ 999
	Min	9.99/ 99.9/ 999
	Hour	9.99/ 99.9/ 999
Output	1 Relay 1 C/O, 5A, 230V AC For Resistive Load	
Operating Mode	Delay ON/ Delay OFF	
Power Supply	100-270V AC, 50/60 Hz, Approx 4VA	
Certification	CE	

APPLICATIONS

Packaging Machinery

Printing Industries

Furnace & Boilers

Automation Panel

Food Industry

Technical Specifications

Input	
Start Pulse	▶ Micro Switch
TimeRange	Sec 9.99/ 99.9/ 999
	Min 9.99/ 99.9/ 999
	Hour 9.99/ 99.9/ 999
Accuracy	± 1% of FSD

Output	
Relay Control Output	
Relay	1Relay, 1C/O
Rating	5A @230V AC / 28V DC Resistive Load

Operating Mode	
Operating Mode	Delay ON Delay OFF
Counting Direction	UP/ Down
Reset Option	Front Panel Reset Terminal Reset

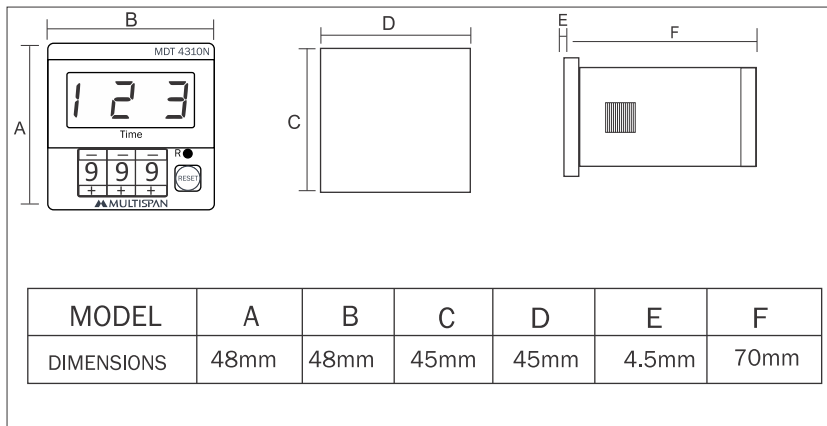
Display	
Process Value	UPPER:- 3 Digit 7 seg 0.56", RED LED Display
LED Indication	Relay

Power Supply	
Standard	100 - 270V AC @ 50/60 Hz
Optional	24V DC
Consumption	4VA

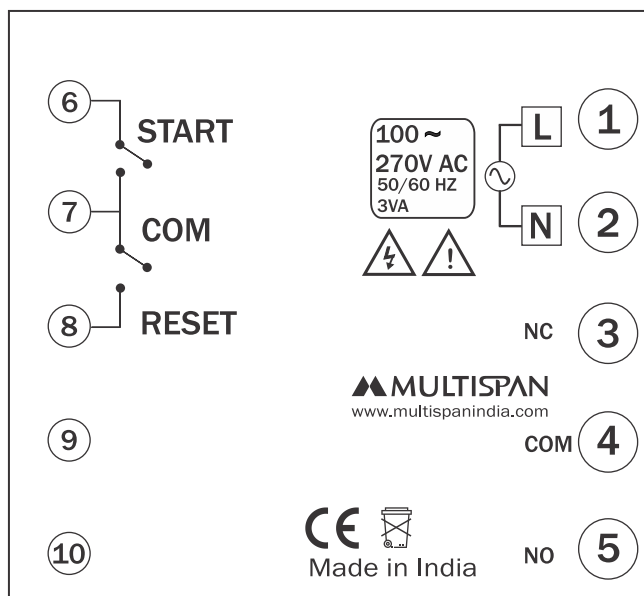
Physical	
	MDT-4310N
Mount	Panel
Enclosure	ABS
Color	Black
Front Bezel (mm)	48 x 48
Panel cutout (mm)	45 x 45
Depth behind panel	70 mm
Accessories	1 pair of Mounting clamp
Terminal Cable Size	Barrier Type terminal Cable Size (2.5 mm ²)

Environmental	
Operating Temperature	0 to 55 °C
Storage Temperature	0 to 70 °C
Humidity	95% RH Non-condensing
Protection	IP 65 (Front Side)

Mechanical Dimension



Connection Diagram



Multispan reserves the right to change specifications without prior notice. Printing and typographical errors reserved.
Product improvement and upgrade is a constant procedure. So for more updated operating information & support contact us.

Multispan Control Instruments Pvt. Ltd.

72/B, Phase 1, GIDC Estate, Vatva, Ahmedabad-382445, Gujarat, India.

+91-7575805463/7623001206

support@multispanindia.com

Follow us



www.multispanindia.com