

VPR-33

VOLTAGE PROTECTION RELAY



TECH SPECS

Dimension (HxWxD) mm	90(H) x 35(W) x 61.5(D)
Mounting	Din Rail Mounting
Input Voltage	260 to 520 V AC (L-L) 3Ø-3W 160 to 300 V AC (L-N) 3Ø-4W
Output	1 ST Relay 1 C/O, 5A, 230 V AC (Resistive load), 24V DC 2 ND Relay 1 C/O, 5A, 230V AC, 24V DC
Accuracy	Class 1.0 (Standard)
Power Supply	Self Powered

APPLICATIONS

DG Set Panels

Motor Control Center Panels

Control Panels

Distribution Panels

Technical Specifications

FEATURES

- Auto/Manual/ Reset Option
 - Power Fail Fault Memory
- Time parameter: Power on delay, Trip delay
Recovery time (Auto Reset)

Protection Available

- Over Voltage
- Under Voltage
- Over Frequency
- Under Frequency
- Asymmetry
- Phase Loss
- Phase Sequence
- Neutral Loss

Meter type

3Ø-3W/3Ø-4W

Input

Direct Voltage	260 To 520V (L-L) 160 TO 300V (L-N)
Resolution	1 Volt
Frequency	45.0 TO 65.0 Hz

Setting Parameter

Trip Setting

Under Voltage	260-520 V AC (3Ø-3W), 160-300 V AC (3Ø-4W)
Over Voltage	260-520 V AC (3Ø-3W), 160-300 V AC (3Ø-4W)
Under Frequency & Over Frequency	45.0 TO 65.0 Hz
Phase Asymmetry	10-100V
Hysteresis	(0 - 99V)

Time Parameter

Power ON Delay Time	0.0 to 99.9 Seconds
Trip Delay Time	0.0 to 999 Seconds
Recovery Time	0.0 to 99.9 Seconds

Auxiliary Power Supply

Power Supply	Self Powered
--------------	--------------

Display, LED & Keys

Display	0.4" Red LED, 3 digit UPPER 0.28" Green LED, 3 digit LOWER
Key	SET , Increment , Decrement / RESET

Output

Relay	1 ST Relay with 1 C/O,5A 230 V AC On Resistive Load 2 nd Relay 1 C/O, 5A, 230V AC
-------	---

Accuracy

Class 1.0 (Standard)

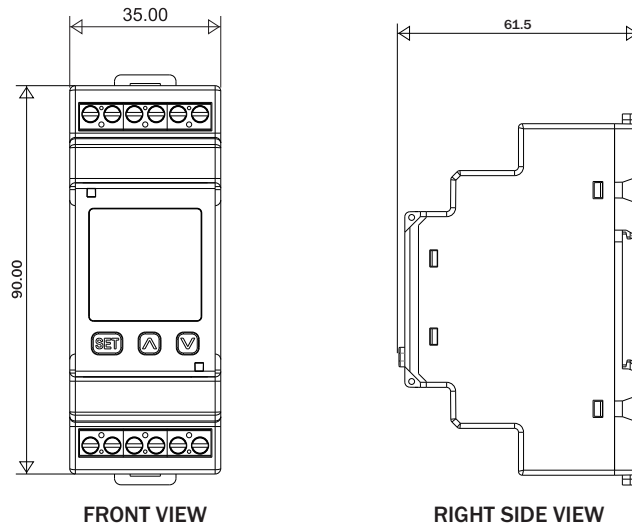
Environmental

Operating Temperature	0 to 55 °C
Humidity	95% RH Non-condensing

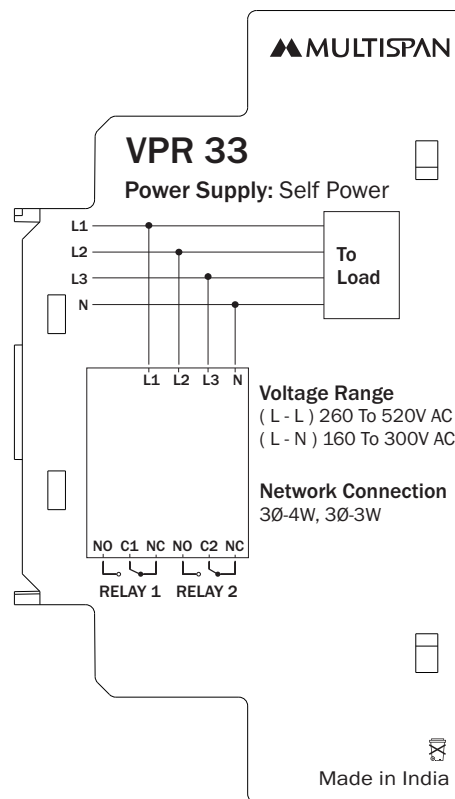
Dimensions

Mounting	Din Rail Mounting
Bezel	90 X 35 mm
Depth of Installation	61.5 mm

Mechanical Dimension



Connection Diagram



Multispan reserves the right to change specifications without prior notice. Printing and typographical errors reserved.
Product improvement and upgrade is a constant procedure. So for more updated operating information & support contact us.

Multispan Control Instruments Pvt. Ltd.

72/B, Phase 1, GIDC Estate, Vatva, Ahmedabad-382445, Gujarat, India.

+91-7575805463/7623001206

support@multispanindia.com

Follow us



www.multispanindia.com