

Model	PIC-38
Display	4 Digit 7 seg 0.8",red LED Display
Size(HXWXD)	48 X 96 X 65 mm
Panel Cutout	44 X 92 mm
Input	0 to 75mV DC
Output	1 Relay 1 C/O
Range	-999 To 9999 Selectable
Power Supply	100 to 270V AC, 50 / 60 Hz, Approx 3VA
Protection Level (As per request)	IP-65(Front side) AS per IS/IEC 60529:2001
Operating Temperature	0° C To 55° C
Relative Humidity	Up to 95% RH Non Condensing

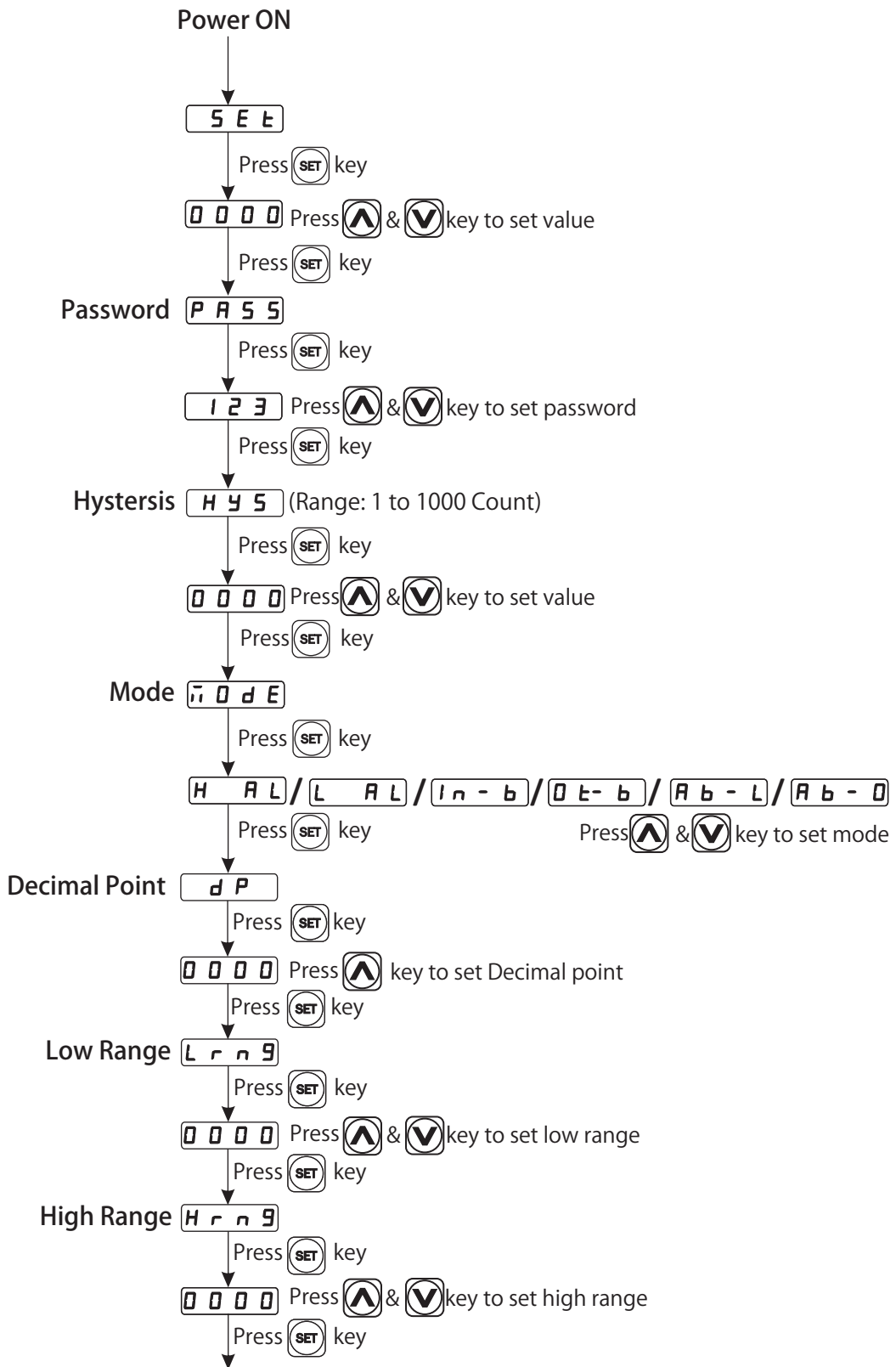
Display

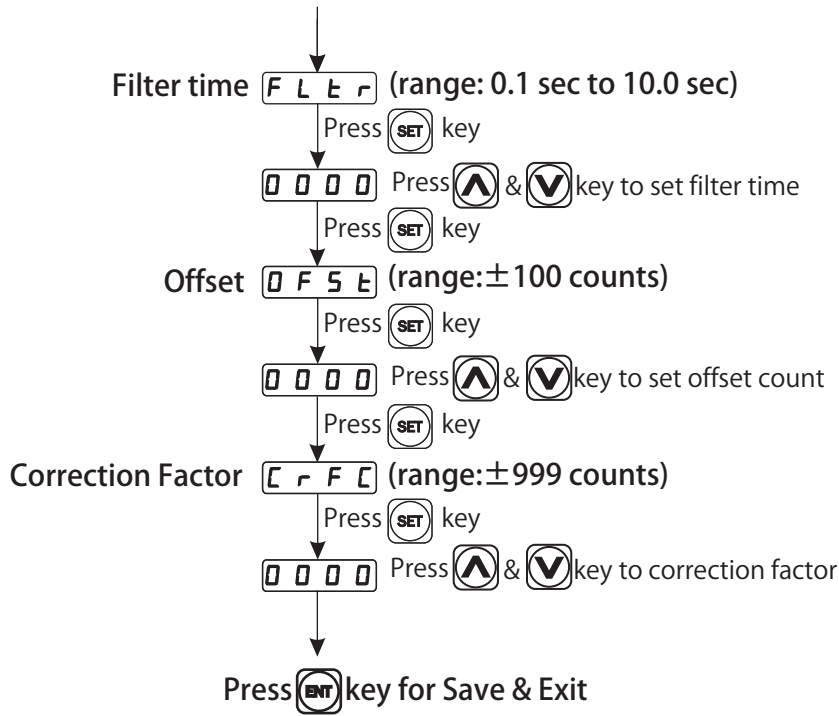
4 Digits Display in Red color indicates current reading of PV

Working

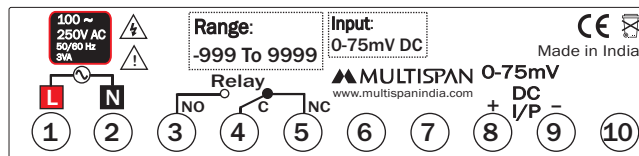
1. When the power is supplied to the instrument the display will show the present PROCESS value.
2. The Range corresponding to 0 to 75mV DC is selectable from keypad.
3. The sensor will provide 0 to 75mV DC input to the controller. The display will indicate the Process value as per the selectable Range value.
4. If the Range is set to -999 then at 0mV DC input the display will show 9999 and 75mVDC the display will indicate selected range 9999.
5. If you select lower alarm as a mode then initially relay will remain in on condition. When current temperature equals (set temperature + HYST) relay will be turn off. So temperature goes down and when it touches set temperature relay will again turn ON. and this process will continue to flow.
6. If you select higher alarm then initially relay will be in on condition so temperature goes down and when it touches (set temperature - HYST) value relay will turn off and so temperature will go high and when it reaches set value relay will turn ON and cycle Continues.
7. When the input exceeds the full scale Range (Approx above 1 A DC) Display will show OVER.

USER CONFIGURATION





Connection Diagram



Safety Precautions

All safety related codifications, symbols and instructions that appear in this operating manual or on the equipment must be strictly followed to ensure the safety of the operating personnel as well as the instrument.

If all the equipment is not handled in a manner specified by the manufacturer, it might impair the protection provided by the equipment .

=> Read complete instructions prior to installation and operation of the unit.



WARNING : Risk of electric shock.

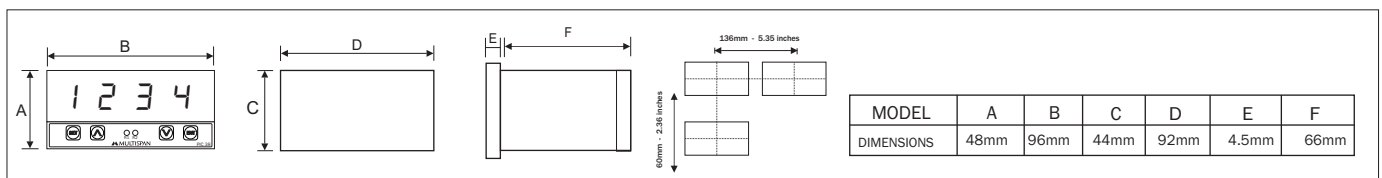
Warning Guidelines

- 1) To prevent the risk of electric shock power supply to the equipment must be kept OFF while doing the wiring arrangement. Do not touch the terminals while power is being supplied.
- 2) To reduce electro magnetic interference, use wire with adequate rating and twists of the same of equal size shall be made with shortest connection.
- 3) Cable used for connection to power source, must have a cross section of 1mm^2 or greater. These wires should have insulations capacity made of at least 1.5kV.
- 4) A better anti-noise effect can be expected by using standard power supply cable for the instrument.

Installation Guidelines

- 1) This equipment, being built-in-type, normally becomes a part of main control panel and such in case the terminals do not remain accessible to the end user after installation and internal wiring.
- 2) Do not allow pieces of metal, wire clippings, or fine metallic fillings from installation to enter the product or else it may lead to a safety hazard that may in turn endanger life or cause electrical shock to the operator.
- 3) Circuit breaker or mains switch must be installed between power source and supply terminal to facilitate power 'ON' or 'OFF' function. However this mains switch or circuit breaker must be installed at convenient place normally accessible to the operator.
- 4) Use and store the instrument within the specified ambient temperature and humidity ranges as mentioned in this manual.

Mechanical Installation



- 1) Prepare the panel cutout with proper dimensions as show above.
- 2) Fit the unit into the panel with the help of clamp given.
- 3) The equipment in its installed state must not come in close proximity to any heating source, caustic vapors, oils steam, or other unwanted process by products.
- 4) Use the specified size of crimp terminal (M3.5 screws) to wire the terminal block. Tightening the screws on the terminal block using the tightening torque of the range of 1.2 N.m.
- 5) Do not connect anything to unused terminals.

Maintenance

- 1) The equipment should be cleaned regularly to avoid blockage of ventilating parts.
- 2) Clean the equipment with a clean soft cloth. Do not use isopropyl alcohol or any other cleaning agent.
- 3) Fusible resistor must not be replaced by operator.

Product improvement and upgrade is a constant procedure. So for more updated operating information and support, Please contact our helpline : +91-9978991474/76/82 or Email at marketing@multispanindia.com Ver: 04-2017