



## FEATURES

- True RMS measurement of Voltage and Current.
- CT Ratio is Selectable from 5 to 4000/5A.
- User can set the display in Auto scrolling or fixed screen Mode via front panel key.
- Accuracy:  $\pm 1\%$  of FSD.

## TECHNICAL DETAILS

Parameter Display	(INPUT RANGE)
Current	( <i>~A</i> ) : 0 - 5A (Without CT)
Line Voltage	( <i>LV</i> ) : 70 - 500V AC
Frequency	( <i>Freq</i> ) : 45 - 65 Hz

### Enclosure:

Size	: 48 mm X 96 mm X 75 mm
Panel Cut Out	: 44 mm X 92 mm

### Front Panel:

Display	: 3 digit seven segments LED display
Digit Colour	: Red
Digit Height	: 0.8 inch

### Auxiliary Supply:

90 to 270V AC, 50 Hz (SMPS)



### Environmental:

Temperature: 10 to 50°C operating.  
Humidity: up to 95% RH condensing.

**SCROLL MODE:** Parameters displayed one by one automatically at 8 seconds interval.

**HOLD MODE:** Selected parameter is shown continuously.

### SCROLL / HOLD MODE:

- To enter into "Hold mode", Press  key, when required parameter is displayed on Display.
- During "Hold mode", LED will blink.
- Press  key again to enter into "Scroll Mode".

### CT Ratio Selection:

Keep pressing front panel key for 2 Seconds. Display will show  $\text{CT}$ . After 2 seconds display will show value of current CT ratio. If CT ratio is over 999 range then, "K" led will turn on.

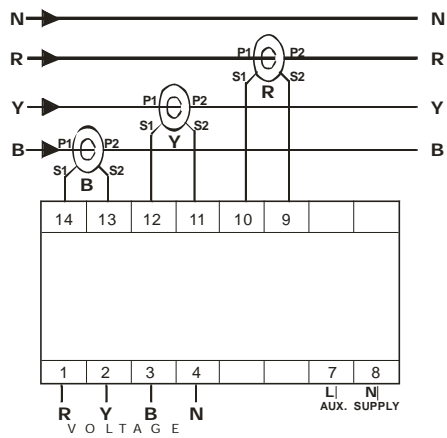
**For Example:** If CT ratio is 2000/5A, then Display will show 2.00 and "K" led will turn on.

- Now release the key and press front panel key to change CT ratio
- To store selected CT Ratio in non-volatile memory, release the key and wait for 5 Seconds. Instrument will automatically stores CT Ratio and starts operating normally.

This table gives you information about the message when the led's are on.

LED ON	PHASE LED ON	MESSAGE
V O	O R O Y	If V,R,Y on then phase-phase voltage between R & Y.
V O	O Y O B	If V,Y,B on then phase-phase voltage between Y & B.
V O	O B O R	If V,B,R on then phase-phase voltage between B & R.
V O	O R, O Y, O B	If V,R,Y,B on then average voltage between R ,Y & B.
A O	O R	If A, R on then current of R phase.
A O	O Y	If A, Y on then current of Y phase.
A O	O B	If A, B on then current of B phase.
A O	O R, O Y, O B	If A, R, Y, B on then average current of R,Y & B phase.
Hz O		It indicates frequency.
K O		If CT ratio is more than 999 then this led turn on.

**CONNECTION DIAGRAM:**



*For current higher than 5 Ampere  
(With External CT)*

**MULTISPAN INSTRUMENTS CO.**  
 AHMEDABAD, GUJARAT  
[www.multispanindia.com](http://www.multispanindia.com)